

50kW solar energy storage cabinet for cement plants



50kW solar energy storage cabinet for cement plants

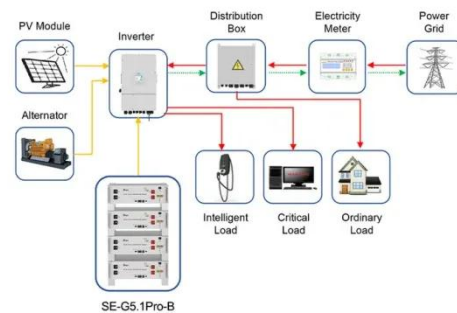


50KW/100KWH All-in-One Commercial & Industrial Energy ...

Designed for C& I applications, it combines a PCS, BMS, LiFePO4 batteries, and EMS into a single, sleek cabinet to significantly reduce your energy costs and enhance power reliability.

50kW-100kWh Energy Storage System Outdoor Cabinet Battery ...

All-in-one 50kW/100kWh ESS cabinet for solar storage, backup, and peak shaving. Outdoor-rated, air-cooled, and easy to install with full EMS control.



Application scenarios of energy storage battery products



Br-50kw-100kwh Outdoor Energy Storage Cabinet

The Br-50kw energy storage system represents a pinnacle of innovation in sustainable power solutions, offering a reliable 50kW output paired with a substantial 100kWh capacity.

Energy Storage ESS Cabinet with 50kW Lithium Battery , Anern

Equipped with advanced LFP battery technology, this 50kw lithium ion solar battery storage cabinet offers reliable power for various applications, including commercial and industrial energy storage, ...



Support any customization

Inkjet Color label LOGO



SolaX ESS-AELIO , C& I Energy Storage ESS Cabinet , 50kW/60kW

Designed to support grid-tied and off-grid scenarios, the Hybrid ESS cabinet offers seamless integration and maximized space utilization, making it an ideal choice for growing energy demands.

30/50kW All-in-One Industrial Energy Storage System , Bluesun

With enhanced power output in off-grid mode, it ensures reliable and uninterrupted energy supply even in challenging environments. Pre-wired for ease of use, the system allows for quick installation, ...



50kW/100kWh Outdoor Cabinet



Energy Storage System

It adopts door-mounted embedded integrated air conditioning, which does not occupy cabinet space, improves the available space of outdoor cabinets, has better structural integrity at the top, and has ...

SUNWAY 50-100kW Outdoor Cabinet Energy Storage System With ...

The SUNWAY 50-100 kW Outdoor Cabinet ESS is an all-in-one energy storage solution designed for commercial and industrial applications. Equipped with a reliable Growatt inverter, it supports flexible ...



50KW 100KWH OUTDOOR CABINET ENERGY STORAGE ...

1mw photovoltaic energy storage cabinet used in a cement plant in guinea This work describes the implementation of concentrated solar energy for the calcination process in cement production.

Commercial Storage Systems , SolarEdge

A 102.4 kWh-rated energy storage solution with 50 kW battery inverter output. It comes with a pre-assembled battery cabinet and battery inverter for faster installations, either indoors or outdoors.



Contact Us

For catalog requests, pricing, or partnerships, please visit:
<https://59empagm.pl>

