

Aarhus energy storage project in denmark



Aarhus energy storage project in denmark



Aarhus Energy Storage Power Export Denmark s Role in Renewable Energy

SunContainer Innovations - Meta Description: Explore how Aarhus drives Denmark"s energy storage power export with cutting-edge solutions. Discover project insights, data trends, and renewable ...

Aarhus Air-Cooled Energy Storage System A Sustainable Solution ...

Why Aarhus Chose Air-Cooled Energy Storage Denmark, a global leader in wind energy, faces a critical challenge: storing excess renewable power efficiently. The Aarhus air-cooled energy storage system ...



Climate-neutral Aarhus 2030

Through the Aa+ project, the City of Aarhus has implemented ambitious energy-efficiency retrofits. With the formation of Aarhus Ejendomme, it is now possible to carry out additional ...



AARHUS DENMARK PLANS TO BUILD ENERGY STORAGE PROJECT

Construction of a new energy storage project in Aarhus Denmark Danish renewables company European Energy A/S has begun construction of its first large-scale battery energy storage system ...

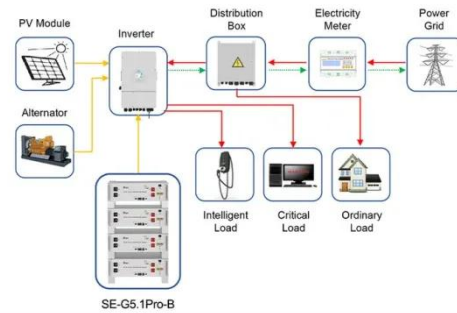


Aarhus Energy Storage: Why Lithium Batteries Are Transforming Denmark...

Powering Tomorrow: Aarhus Bets on Lithium Battery Solutions As Denmark's second-largest city, Aarhus has emerged as a laboratory for renewable energy innovation. The local government's 2030 ...

Denmark's largest battery

The concept of storing renewable energy in stones has come one step closer to realisation with the construction of the GridScale demonstration plant. The plant will be the largest ...



Application scenarios of energy storage battery products



Danish Energy Storage Projects: Powering a Sustainable Future

Discover how Denmark leads the charge in renewable energy storage innovation. This article explores cutting-edge energy storage solutions, their applications across industries, and why Danish projects ...

Nuvve to Bolster Danish Grid Stability with Three New 2MW

...

Nuvve Denmark ApS, a subsidiary of Nuvve Holding Corp. (Nasdaq: NVVE), a global leader in distributed grid assets management and vehicle-to-grid (V2G) technology, announced ...



Aarhus Abandons Carbon Capture, Climate Goals

Jeopardized

Aarhus has scrapped its carbon capture project, putting the Danish port city's climate goals and net-zero ambitions at risk. Critics warn that abandoning this key technology could derail ...



Aarhus Energy Storage Power Plant: Denmark's Leap Toward ...

...

Why This Project Matters for Renewable Energy Integration Denmark's Aarhus Energy Storage Power Plant isn't just another battery facility--it's a blueprint for how industrialized nations can balance ...



Contact Us

For catalog requests, pricing, or partnerships, please visit:
<https://59empagm.pl>

