

Adaptive temperature controlled battery cabinet



Adaptive temperature controlled battery cabinet

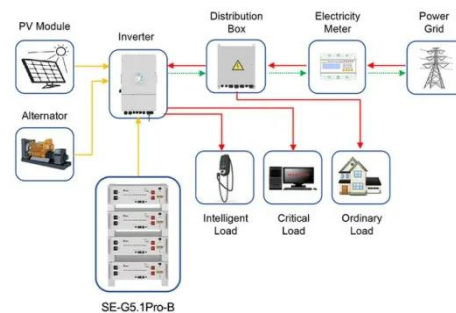


All-in-One Energy Storage Cabinet & BESS Cabinets , Modular, ...

AZE's All-in-One Energy Storage Cabinet & BESS Cabinets offer modular, scalable, and safe energy storage solutions. Featuring lithium-ion batteries, smart BMS, and thermal management, they're ideal ...

High-Performance Lithium Ion Battery Cabinet: Advanced Energy ...

Industrial-grade lithium ion battery cabinet featuring advanced thermal management, intelligent BMS, and modular design for reliable, scalable energy storage solutions. Ideal for renewable energy ...



Application scenarios of energy storage battery products

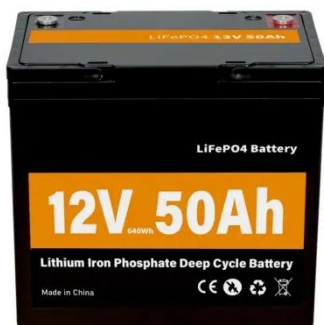
SRB10 Battery Cabinet

The cabinet is outdoor-rated with automatic, temperature-controlled cooling fans (110VAC) to keep batteries operating at optimal temperature. The cabinet ships pre-assembled for simple plug & play ...



AZE BESS Cabinets

The NEMA type outdoor lithium battery enclosure can effectively control the inner ideal temperature of the cabinet and make the battery run in an ideal temperature condition.



Lithium Ion Battery Storage Cabinet LBSC-A11

Our Lithium Ion Battery Storage Cabinet is designed to provide a stable ...

The Ultimate Guide to Energy Storage Temperature Control Box: Why ...

If you're managing solar farms, EV charging stations, or even just a home

battery system, you've probably faced this headache: batteries that underperform in extreme heat or cold.



Energy storage(KWh)

102.4kWh

Nominal voltage(Vdc)

512V

Outdoor All-in-one ESS cabinet



Battery Compartment Temperature Control Solution

It is recommended to use semiconductor refrigerators for temperature control equipment, which are reliable in operation and require less maintenance, or DC air conditioners dedicated to small battery ...

SRB6 Battery Cabinet , Up to 30 kWh , Outdoor-rated , Floor-Mount

The SRB6 Battery Cabinet is an outdoor-rated enclosure that can hold up to 6x SR5K-UL battery modules for a total energy capacity of 30 kWh. The cabinet is outdoor-rated with automatic, ...



Battery Storage Cabinets: The Backbone of Safe and Efficient

Lithium

By incorporating features such as fireproof materials and advanced cooling systems, these cabinets ensure that batteries operate within safe temperature ranges, thereby enhancing ...



Lithium Ion Battery Storage Cabinet LBSC-A11

Our Lithium Ion Battery Storage Cabinet is designed to provide a stable environment for lithium-ion batteries, featuring real-time temperature monitoring. The integrated ventilation system ensures that ...



Battery Cabinet Temperature Control , Huijue Group E-Site

Have you ever wondered why battery cabinet temperature control accounts for 38% of all lithium-ion system failures? As global energy storage deployments surge - reaching 158 GWh in Q2 2023 alone ...



Contact Us

For catalog requests, pricing, or partnerships, please visit:
<https://59empagm.pl>

