

Budapest Photovoltaic Energy Storage Outdoor Cabinet Two-Way Charging



Budapest Photovoltaic Energy Storage Outdoor Cabinet Two-Way C



Successful Signing of Hungarian PV-Energy Storage-EV Charging

In September 2024, PV-Energy storage-Charging stations in Hungary, the Netherlands, Germany, France, and Italy will be put into operation one after another, contributing green power to European ...

Kehua Tech Signs Contract with ThdG Kft. for 12MWh Energy Storage

The project is expected to be completed in the first half of 2025, contributing to the advancement of clean and efficient energy infrastructure in Hungary.

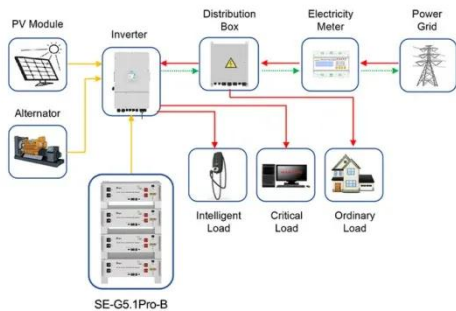


Budapest Energy Storage & Solar Project: Key Construction Phases

This article breaks down the construction sequence of this cutting-edge project while exploring global trends in solar-storage integration. Whether you're an energy developer or infrastructure planner, discover actionable ...

Outdoor Cabinet Energy Storage System

Product Features: Standardized structure design, menu-type function configuration, photovoltaic charging module, a parallel off-grid switching module, power frequency transformer, and other components can be ...



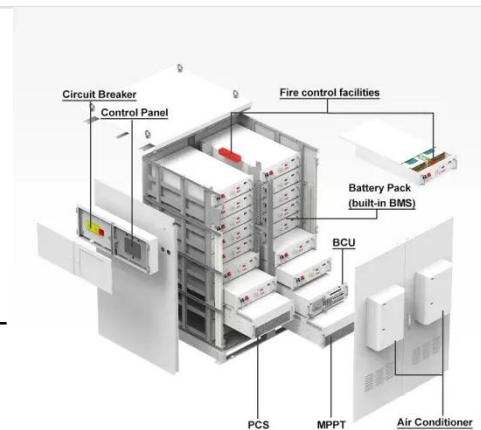
Application scenarios of energy storage battery products

Outdoor Cabinet ESS for PV Storage & Charging-Klar Energy ...

Flexible Configuration: With built-in photovoltaic, energy storage, charging, and other power modules, it offers flexible combinations, easy expansion, and satisfies various application scenarios;

Outdoor Storage Cabinet & Charging

Flexible Configuration: With built-in photovol-energy storage, charging, other power modules, it offers flexible combinations, easy expansion, and satisfies various application scenarios;



Energy Storage Equipment, Energy storage solutions,



Lithium battery

Huijue Group offers industrial and commercial energy storage, PV-BESS -EV Charging, Off-grid / On-grid Microgrid, telecom site solutions, and home solar energy storage, ensuring reliability, efficiency, and ...

Outdoor Cabinet Energy Storage System (ESS) for PV Storage & Charging

The ELECOD Outdoor Cabinet ESS for PV Storage & Charging offers an integrated and scalable energy storage solution designed for photovoltaic energy generation and charging applications.

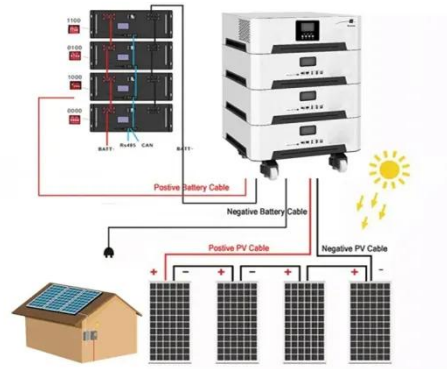


Outdoor cabinet type energy storage system

The outdoor energy storage system supports the flexible expansion of PV capacity and simultaneous access to load, battery, grid, DG, and PV, highlighting its role tailored for small C& I energy storage needs.

Budapest Industrial and Commercial Energy Storage Cabinets

215KWh Outdoor cabinet series industrial and commercial energy storage HJ-G100-215F is a high capacity air-cooled energy storage system designed for outdoor industrial as well as commercial applications.



Contact Us

For catalog requests, pricing, or partnerships, please visit:
<https://59empagm.pl>

