

# C-type steel photovoltaic bracket method



## C-type steel photovoltaic bracket method

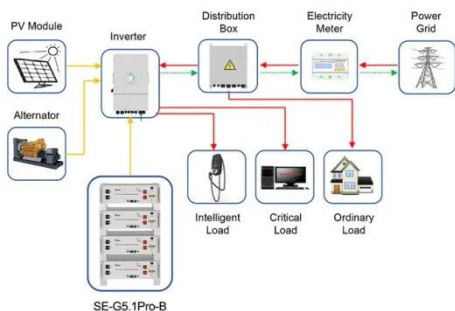
### Principle of C-type steel photovoltaic bracket

It is therefore essential to select the most appropriate type of photovoltaic bracket, taking into account the specific requirements of the project, the geographical location, climate conditions



### Photovoltaic C-type bracket installation

Photovoltaic bracket can be classified in the form of connection mode, installation structure and installation location. It is divided into welding type and assembly type; according to the



Application scenarios of energy storage battery products

### Photovoltaic bracket C-shaped steel installation method

Introduction. Using the sun to provide electrical power for a residential, commercial, or agricultural use is effective when a solar photovoltaic PV system is set up to access an unobstructed ...

## National Standard for Photovoltaic Bracket C-Shaped Steel

In order to achieve the effective use of resources and the maximum conversion rate of photovoltaic energy, this project designs a fixed adjustable photovoltaic bracket



## C-type Steel Ground Photovoltaic Bracket

The C-shaped steel system bracket is made of carbon steel and is surface treated with hot-dip galvanizing or magnesium-aluminum-zinc plating, which has excellent anti-corrosion performance ...

## Essential Requirements for Photovoltaic C Steel Brackets: Design

Meta Description: Discover the critical requirements for photovoltaic C steel brackets - from material specs to load calculations. Learn how to optimize solar mounting systems for durability and ROI ...



## Common models of photovoltaic bracket C-shaped



## steel

One commonly used component in PV mounting systems is the C channel, also known as a C purlin. This structural steel component provides excellent support for PV panels and helps distribute the ...

## C-Type Steel Photovoltaic Brackets: Model Parameters and Design

As we approach Q2 2025, the solar industry's racing to adopt C-type steel photovoltaic brackets - and for good reason. Let's unpack what makes these unassuming components so critical to your solar ROI.



## Photovoltaic C-type bracket cutting method

Abstract: In order to study the mechanical properties of the fixed photovoltaic bracket and its failure under wind load, the full-scale photovoltaic bracket specimen was

## C-type steel photovoltaic bracket model parameters and principles

In order to respond to the national goal of "carbon neutralization" and make more rational and effective use of photovoltaic resources, combined with the actual photovoltaic substation project, a fixed ...



---

## Contact Us

---

For catalog requests, pricing, or partnerships, please visit:  
<https://59empagm.pl>

