

Cost of IP65 Energy Storage Battery Cabinet for Substations in Philippines



Overview

A typical 50kWh distributed energy storage cabinet in Manila now costs between ₱850,000 to ₱1.2 million, depending on three critical factors: 1. ". A 5MW solar facility reduced its diesel generator usage by 80% after installing a 2MWh lithium battery system. 2 years through fuel savings and grid services. Industry analysts predict: Pro Tip: Hybrid systems combining lithium and lead-acid batteries. Battery storage cabinets are essential components in modern energy systems, designed to safely house and manage energy storage units for residential, commercial, and industrial applications. Lithium-ion, especially the LiFePO₄ type, lasts longer and handles daily charging better. In 2025, the typical cost of a commercial lithium battery energy storage system, which includes the battery, battery management system (BMS), inverter (PCS), and installation, is in the following range: \$280 - \$580 per kWh (installed cost), though of course this will vary from region to region. Battery Energy Storage Systems, commonly known as BESS, are advanced energy storage solutions designed to store electricity generated during periods of low demand or from renewable sources such as solar panels or wind turbines.

Cost of IP65 Energy Storage Battery Cabinet for Substations in Phil



Top Large Energy Storage Cabinet Companies in the Philippines: ...

Selecting the right energy storage partner requires balancing technical specs, local support, and financial returns. As the Philippines pushes toward 35% renewable energy by 2030, advanced ...

Ultimate City Comparisons: Unveil the Finest Urban Destinations ...

Welcome to our page of the most popular city comparisons! Here you'll find a carefully curated list of links to the most sought-after city comparisons. Whether you're deciding where to live, ...

Modular design,
unlimited combinations in parallel
BUILT-IN DUAL FIRE PROTECTION MODULE

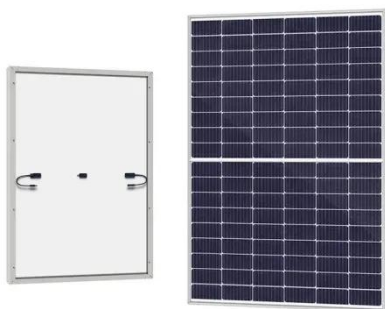


Mount Juliet, Tennessee

Mount Juliet, Tennessee detailed profile
Mean prices in 2023: all housing units: \$473,410; detached houses: \$484,442; townhouses or other attached units: \$345,798; in 3-to ...

Energy Storage Enclosures/Cabinets , Modular Design to Meet ...

Machan is not only an enclosure manufacturer, but also your partner in energy storage enclosure applications. We provide professional advice to help customers determine appropriate enclosure ...



Manila Distributed Energy Storage Cabinet Factory Price List Trends

This ambitious goal has turned Manila into a hotspot for distributed energy storage solutions. Businesses and households alike are scrambling to find reliable, cost-effective systems to manage ...

Snohomish County, Washington (WA)

Snohomish County, Washington (WA) Detailed Profile Median monthly housing costs for homes and condos with a mortgage: \$2,696 Median monthly housing costs for units ...

Test certification
CE FC U



Battery Storage Cabinets



Explore our range of battery storage cabinets for efficient energy management. Solar, industrial, and commercial solutions. Durable and easy to install.

St. Louis County, Missouri detailed profile

St. Louis County, Missouri (MO) Detailed Profile Median monthly housing costs for homes and condos with a mortgage: \$1,651 Median monthly housing costs for units without a mortgage: ...



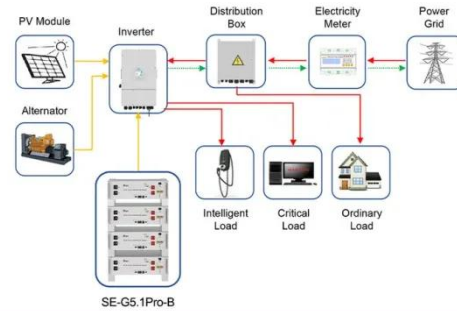
Energy storage 30kW 60kW 90 kW 100kw 150kw ...

Buy Energy storage 30kW 60kW 90 kW 100kw 150kw 200kw off grid Commercial Battery Energy Storage Cabinet online today!

The Real Cost of Commercial Battery Energy Storage in 2026: What ...

What factors influence the cost of commercial battery energy storage

systems? Key factors influencing the cost include battery chemistry, system capacity, discharge duration, ...



Application scenarios of energy storage battery products

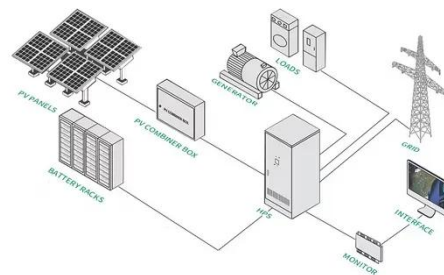


Granbury, Texas (TX 76048) profile: population, maps, real estate

Granbury, Texas detailed profile Mean prices in 2023: all housing units: \$387,960; detached houses: \$403,730; townhouses or other attached units: \$397,613; in 5-or-more-unit structures: ...

Energy Storage Solutions in the Philippines: What Businesses and

Learn about energy storage solutions in the Philippines. Understand battery types, sizing, costs, and maintenance for reliable solar energy day and night.



Energy Storage Battery Cost in the Philippines: A 2024 Market Guide



As renewable energy adoption accelerates in the Philippines, understanding the cost of energy storage batteries becomes critical for businesses and households. This article breaks down pricing trends, ...

Miami-Dade County, Florida detailed profile

Miami-Dade County, Florida (FL) Detailed Profile Median monthly housing costs for homes and condos with a mortgage: \$2,427 Median monthly housing costs for units without a mortgage: ...



Philippines energy storage cabinet

In order to accommodate energy storage as an enabler for the modernisation of its electricity networks, the Philippines' Department of Energy (DoE) has issued a circular, "Providing a framework for ...

Battery Energy Storage Systems In Philippines: A Complete Guide

In this comprehensive blog post, we will

delve into the world of Battery Energy Storage Systems (BESS), and explore how it can benefit businesses, its associated costs, as well as key considerations before ...



City-Data

Stats about all US cities - real estate, relocation info, crime, house prices, schools, races, income, photos, sex offenders, maps, education, weather, home value

Tucson, Arizona

Tucson, Arizona detailed profile Mean prices in 2023: all housing units: \$306,595; detached houses: \$346,459; townhouses or other attached units: \$240,575; in 2-unit structures: ...



Berlin, Maryland

Berlin, Maryland detailed profile Mean prices in 2023: all housing units: \$359,034; detached houses: \$369,855; townhouses or other attached units:

\$308,676 Median gross rent in 2023: ...



Contact Us

For catalog requests, pricing, or partnerships, please visit:
<https://59empagm.pl>

