

Dhaka portable solar container battery manufacturer



Overview

(PBL) is the largest lead-acid battery manufacturer in Bangladesh started its journey 2006 with 5,76,000 Sq. Headquarters located in Shenzhen. Dongjin Group has established lithium battery and lead-acid battery factories in Dongguan, Guangdong Province and Xingan County, Jiangxi Province. SEPC is a leading solar energy provider in Bangladesh, offering comprehensive solutions for the design, installation, and maintenance of solar plants, highlighting its commitment to renewable energy and sustainability. Solaric is a renewable energy development company that specializes in. Panna Group (PG), a leading group of industries with diversified businesses like Battery, Jute, Lubricant, Solar Panel etc. Panna Battery Limited (PBL), a SBU of PG, is one of the pioneers in battery industry of Bangladesh, yet, it's one of the most technologically advanced companies in the. Sale! Sale! Sale! Sale! Sale! Sale! Sale! Sale! Sale! Sale! Sale! Sale! . (SEBL) has founded in 2010 at Dhaka, Bangladesh which is one of the leading Importer of Solar Panel, Consumer Electronics, CPVC Pipe & Fittings, Solar Charge Controller, Battery, On Grid & Off Grid Inverter, Solar Street Light & Solar related all Products, LED Bulb & Tube, Energy Saving FAN. We are leading manufacturer and exporter of Batteries and have successfully established market presence.

Dhaka portable solar container battery manufacturer

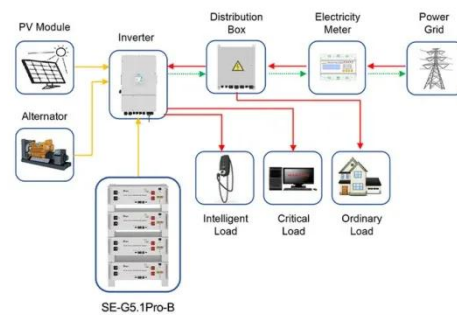


Solar Electro Bangladesh Ltd

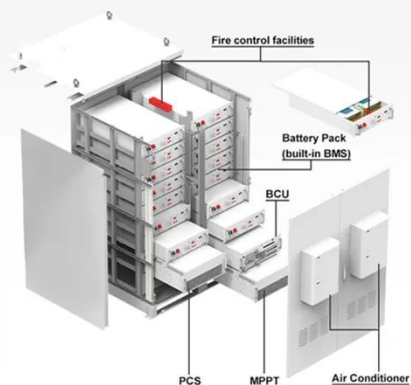
SEBL is working to promote the renewable & alternative energy in Bangladesh; we are providing ultimate solutions for the current power crisis with Solar System, especially for the domestic and ...

Top 25 Solar Battery Companies in Bangladesh (2025) , ensun

Orient BD Limited specializes in power solutions, offering long maintenance-free batteries designed for solar applications, ensuring homes and businesses can utilize green energy even during non-sunny ...



Application scenarios of energy storage battery products



WHY DHAKA'S ENERGY STORAGE CONTAINER MANUFACTURERS ...

What is a containerized energy storage system? The Containerized energy storage system refers to large lithium energy storage systems installed in sturdy, portable shipping containers, which usually ...

Mobile Solar Container Quotation in Bangladesh 2025: Price Analysis ...

Current mobile solar container quotations in Bangladesh range from \$28,000 to \$420,000 based on capacity. Our market analysis predicts 8-12% price drops by Q2 2025 as Chinese suppliers like Trina ...



Battery - Dhaka City Solar wholesalers

DYNESS LITHIUM BATTERY BX51100
(51.2V100AH 5.12KWH) Battery R 16
500,00 R 14 800,00

Leading Manufacturer of Battery & Sole Distributor of world ...

HIL was established with the objective to produce battery separators and battery containers along with covers, handles vent plugs of different sizes and colors.



Battery Manufacturers in Bangladesh



PBL is specialized in manufacturing complete range of Automotive Batteries, Inverter Tubular Batteries, and Solar Tubular Batteries & Electric Vehicle Batteries.

Panna Group - empowering the nation

It manufactures different varieties of batteries for automotive, motorcycle, IPS, Solar and other applications in its factory located at West Rasulpur, Kamrangirchar, Dhaka.



Solar Container , Large Mobile Solar Power Systems

LZY Containers provide innovative mobile solar container solutions for businesses worldwide. Our mobile solar systems are designed to be reliable, efficient and easy to use.

Contact Us

For catalog requests, pricing, or partnerships, please visit:
<https://59empagm.pl>

