

# Differences between solar glass and home glass



## Overview

---

In this guide, we explain the differences between mono-glass and glass-glass (bifacial) panels. You'll see how they stack up for safety, weight, weather, and more. Solar glass is special because it makes energy and protects well. If you want to save energy at home or work, you will see a big difference in the ratings. This helps you save money for a long time and keeps the glass. The evolution of renewable energy technology has brought significant advances in materials science, particularly in the development of specialized solar glass. This advanced material plays a crucial role in maximizing the efficiency of solar energy systems, setting it apart from conventional glass. Solar glass that is used in manufacturing solar panels is not like ordinary glass; it has one or both sides with an anti-reflective coating. Make an informed choice before you buy. Solar power is booming in 2025. Think of a single glass panel like a superhero with a tough front.

## Differences between solar glass and home glass

---



### **ELAT Solar , Everything you need to know about solar glass**

In this article, we will explore the function of solar panel glass, different types of solar panel glass, the differences between regular glass and solar glass, and the revolutionary concept of solar panel windows.

---

### **Solar Glass Compared to Traditional Glass Key Features and ...**

Solar glass offers higher energy efficiency, UV protection, and durability than traditional glass, helping reduce energy costs and enhance building performance.

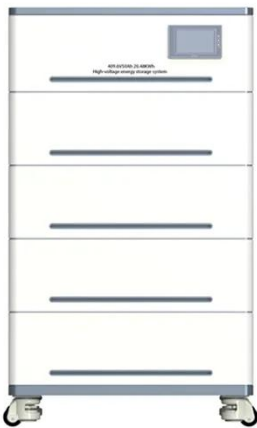


### **Double Glass vs Single Glass Solar Panel: Which is Best?**

Whether you choose single or double glass, both options contribute to a brighter, more sustainable future powered by the sun. With the knowledge you now possess, you can confidently select the ...

## Understanding Solar Control Glass 101: A Comprehensive Guide

Learn all about solar control glass in this comprehensive guide. Discover its benefits, types, and applications, and how it can improve the energy efficiency.



## Solar Films vs. Traditional Tinted Glass: Key Differences for

In the field of commercial glazing protection, choosing the most suitable solution is essential to ensure energy efficiency, security, and aesthetics. This article provides an in-depth comparison between ...

## How Solar Glass Differs from Regular Glass

Atlantic Custom Glass explores how solar glass windows differ from other glass types. Learn about energy efficiency and unique benefits.



## How Solar-Control Glass different from Standard

## Double Glazing?

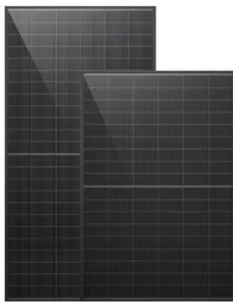
Discover key differences between solar-control glass and standard double glazing. Learn how each option impacts heat control and which is best for your home.



---

## Solar Glass vs Normal Glass , Types of Solar Panel Glass

Discover how solar glass differs from normal glass and understand the different types of solar glass used in solar panels in this blog.



---

## Solar Glass vs Regular Glass: Key Differences Explained

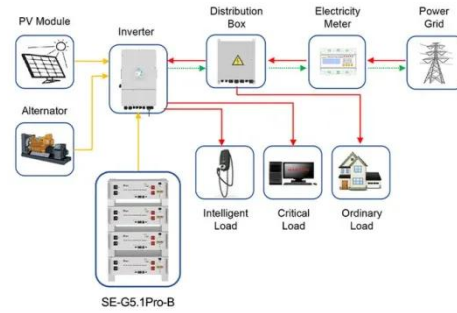
While the initial cost of solar glass exceeds that of regular glass, its superior durability and performance characteristics often result in lower long-term maintenance costs.

---

## Glass-Glass or Mono-Glass Solar Panels? Key Differences Explained

This guide compares mono-glass and glass-glass designs with focus on cost,

reliability, and output. You'll see how safety, weight, and maintenance differ, and which option suits residential rooftops or ...



Application scenarios of energy storage battery products

## Contact Us

For catalog requests, pricing, or partnerships, please visit:  
<https://59empagm.pl>

