

Does the home inverter have electricity

12.8V 100Ah



Overview

What an Inverter Actually Does Inverters take a low-voltage DC input and electronically “flip” it into a steady AC output. This process happens rapidly, producing a standard household waveform at 120V (in the U.) or 230V (in many other countries). It's like a miniature power station. It keeps essentials like lights. These days, our homes rely on electricity for almost everything—lights, appliances, laptops, and phone chargers. So it's no surprise we all ask the same question at some point: “Do I really need a residential inverter?”

” That's a good question.

Does the home inverter have electricity

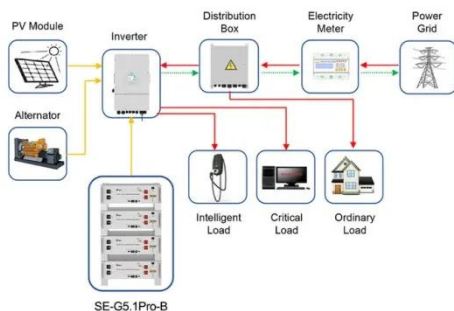
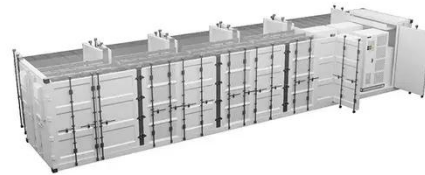


Solar Inverters: What You Need To Know - Forbes Home

Solar inverters' main function is to accept DC power input and turn it into AC power. They also act as the primary connection between the panels and the electrical distribution panel in the

What Does an Inverter Do, and How Does It Work , Renogy US

An inverter converts DC power from batteries or solar panels into AC power for household appliances. It's essential for off-grid systems, RVs, and backup power, enabling the use of standard electronics ...



Application scenarios of energy storage battery products

What Is a Power Inverter for Home Use? A Comprehensive Guide

A power inverter for home converts the DC power from a battery into usable AC power for your household appliances. By choosing the right size, wave type, and installation method, you can ...

How Does a Power Inverter Work? An Easy Explanation for Beginners

Whether it is a power inverter for a car or any other type, they all have similar working principles. First, you have the DC input. This is power that flows in one direction and comes from ...



 TAX FREE    

ENERGY STORAGE SYSTEM

Product Model
 HJ-ESS-215A(100KW/215KWh)
 HJ-ESS-115A(50KW 115KWh)

Dimensions
 1600*1280*2200mm
 1600*1200*2000mm

Rated Battery Capacity
 215KWH/115KWH

Battery Cooling Method
 Air Cooled/Liquid Cooled



What Does An Inverter Do? Complete Guide To Power Conversion

Hybrid Systems Offer Maximum Value: Inverters that combine solar, battery storage, and grid connectivity provide the best return on investment in 2025, offering energy independence, ...

Choosing the Right Inverter: The Complete Guide to Solar & Home

In this guide, I'll walk you through everything you need to know about selecting a solar inverter or general home inverter -- load calculations, battery matching, surge power, efficiency, safety, all of that.



What Does an Inverter Do and How Does It Work?



Inverters convert this DC power into AC so that it can be used in homes, businesses, and the electrical grid. They also help synchronize the output with grid frequency and voltage.

Can I Use an Inverter to Power My House?

Yes, you can use an inverter to power your house. It converts DC power to AC power for home use.



Do I Really Need a Residential Inverter? 10 Signs Your Home Could Benefit

But even if you don't have solar panels, many residential inverters work with simple battery setups to give you electricity during blackouts, brownouts, or when the grid gets overloaded. Some modern ...

What Is the Use of Inverter in Home - The Truth Revealed

An inverter turns stored DC power into

usable AC electricity during power cuts. It keeps essentials like lights, Wi-Fi, and appliances running without noise or fuel.



Contact Us

For catalog requests, pricing, or partnerships, please visit:
<https://59empagm.pl>

