

# How long can a 72v inverter be used

## High Voltage Solar Battery



## Overview

---

As long as the inverter has a sufficient power supply and is not overloaded, it can operate continuously without any issues. An inverter converts stored DC energy from batteries into usable AC power for appliances. The duration it can supply power depends on three key factors: Battery Capacity (Ah): The amount of energy stored in the battery. To understand this first of all we need to know battery capacity is measured in Amp-hours (Ah) so to make the calculations easier first. Practical Impact: The inverter can support your home for nearly 3 hours during a power outage. Scenario: Running a 150 W refrigerator with a 100 Ah battery and 80% efficient inverter. Practical Impact: You'll need multiple cycles or additional solar panels to sustain longer operation. The following formula is used to calculate. "72V systems require at least 6 AWG wiring for runs under 10 feet – anything smaller is playing with fire. Regardless of the size, the calculation steps are always the same.

## How long can a 72v inverter be used

---



### Inverter Usage Time Calculator

Understanding how long your inverter will last is essential for efficient energy management and backup power planning. This guide explores the science behind inverter usage ...

---

### Inverter Usage Calculator

Enter the battery capacity, inverter efficiency, and load power into the calculator to determine the usage time of an inverter. This calculator helps to estimate how long an inverter can ...



### Can a Brand New 72 Volt Inverter Be Used? Key Applications and ...

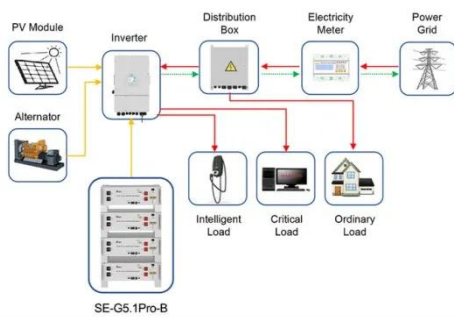
Did You Know? Properly configured 72V systems can last 18-24 months longer than lower-voltage alternatives.

---

### What Will An Inverter Run &

## For How Long? (With Calculator)

So I'm gonna explain to you guys in simple words about what you can run on your any size inverter and what are the key point to keep in mind. And also how long your inverter will last with ...



Application scenarios of energy storage battery products

## How Long Can an Inverter Run Continuously?

As long as the inverter has a sufficient power supply and is not overloaded, it can operate continuously without any issues. However, it's essential to consider the inverter's efficiency ...

## How to Choose the Best Inverter 72v for Your Power Needs

Choosing the right inverter 72v involves balancing power needs, waveform quality, efficiency, and long-term reliability. Prioritize pure sine wave models with strong safety features and ...



## Understanding Battery Capacity and Inverter Compatibility



To estimate how long a battery can run an inverter, we need to consider the power draw and the battery's capacity. Using a 100 Ah battery with a 1000W inverter, we perform the following ...

## What Will An Inverter Run & For How Long? (With Calculator)

Introduction - How Does An Inverter Work? What to Keep in Mind Before Running A Load on The Inverter What Will An Inverter Run? How Long Will A 12V Battery Last with An Inverter? How Long Will An Inverter Last on A Battery? Related Posts A rule of thumb is that the total output load should be less than the inverter capacity. For example, if you have a 3000-watt inverter you can run up to 2500 watts of output load with it. As I have mentioned earlier you have to keep in mind the efficiency rate of your inverter before putting the load on it. That is all you need to know. The total wa See more on dotwatts baraka



## How many hours can a 72v inverter 220 be used for - baraka

Enter the battery capacity, inverter efficiency, and load power into the

calculator to determine the usage time of an inverter. This calculator helps to estimate how long an inverter can run a particular load ...

---



## How many hours can a 72v inverter 220 be used for

Enter the battery capacity, inverter efficiency, and load power into the calculator to determine the usage time of an inverter. This calculator helps to estimate how long an inverter can run a particular load ...

---

## Frequently Asked Questions About Power Inverters , DonRowe

Short Answer: The size you choose depends on the watts (or amps) of what you want to run (find the power consumption by referring to the specification plate on the appliance or tool). We recommend ...

---



## How to Calculate How Long an Inverter Will Last

How long an inverter lasts depends on the battery and load. This simple guide explains how to calculate inverter runtime of any size.



---

## Contact Us

---

For catalog requests, pricing, or partnerships, please visit:  
<https://59empagm.pl>

