

# How many cement piers are best for photovoltaic panels



## Overview

---

Getting your photovoltaic cement pier support size specifications right isn't just paperwork; it's what separates solar warriors from solar worriers. Concrete supports for solar arrays need to be: Choosing pier sizes isn't rocket science. Here's. PV Ground Mounted Arrays has several advantages. Minimal equipment is required for installation, and they can be relatively shallow compared to driven steel piles. They are more environmentally friendly compared to traditional concrete foundations, as they require less excavation and use less material. Initial costs can vary, but they. The selected solar panel is known as Top-of-Pole Mount (TPM), where it is designed to install quickly and provide a secure mounting structure for PV modules on a single pole. All the information provided by the solar panel provider are shown in the following figure and design data section and will. Pro Solar Tech | Solar Power Plants, Solar EPC & Ground Mounted Solar Systems Pro Solar Tech delivers large-scale solar power plants with complete Solar EPC solutions and high-quality ground mounted solar systems for reliable, cost-effective energy generation. Let's break down why this approach is gaining momentum.

## How many cement piers are best for photovoltaic panels

---



### Photovoltaic Cement Pier Support Size Specifications: The Engineer's

Getting your photovoltaic cement pier support size specifications right isn't just paperwork; it's what separates solar warriors from solar worrier. Let's start with a cold hard truth: 83% of solar installers ...

---

### Design of Photovoltaic Support Scheme for Cement Pier: Solving

Meta Description: Discover how cement pier-based photovoltaic support schemes address modern solar installation challenges. Explore design principles, cost comparisons, and 2024 ...

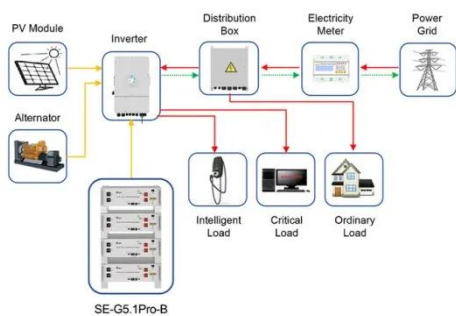


### Specifications of photovoltaic panel cement piers

In general, the most commonly implemented foundations for solar trackers consist of direct drilled, precast and cast-in-place concrete piers, along with precast concrete piers, and driven and

## Ground Mounted PV Solar Panel Reinforced Concrete Foundation

For illustration and purposes, the following figures provide a sample of the input modules and results obtained from an spMats model created for the ground mounted PV solar panel reinforced concrete ...



Application scenarios of energy storage battery products

## Calculation of the size of the cement pier for photovoltaic support

This concrete column calculator helps you find the number of premix concrete bags you need to buy for your building project and determine the amount of ingredients you

## Photovoltaic panel cement pier production

This document discusses the design of a reinforced concrete foundation for a ground-mounted solar panel system using engineering software. A spread footing foundation with a 36-inch



## Standard Specifications for Photovoltaic Support Cement



## Piers

Standard Specifications for Concrete Structures (JSCE-SSCS), which show the model for plan, design, execution, maintenance and repair of concrete structures, have been highly

---

### Technical Data Sheet - Ground mount PV systems 2P-10, ...

The Ground mount PV systems 2P-10, Concrete Pier is optimized for standard modules with dimensions of 2278 × 1134 × 30 mm. This is one of the most common formats in the PV industry.



### Pier Foundation For Solar: Costs, Use Cases, Pros

This guide covers the costs, use cases, pros, and cons of pier foundations for solar installations.

---

### Installation of cement pier for photovoltaic support base

Concrete Piers: Concrete footings are poured into the ground to support the solar array. This method is commonly

used for smaller-scale installations or regions with specific soil conditions.



---

## Contact Us

---

For catalog requests, pricing, or partnerships, please visit:  
<https://59empagm.pl>

