

How much does it cost to add a battery and an inverter



Overview

How much does it cost to add a battery to existing solar panels?

Retrofitting usually costs \$10,000–\$14,000 depending on inverter compatibility. Can I finance a solar battery?

Yes. Most installers offer loans with 0–2%. Some smaller batteries cost just a few hundred dollars, while premium systems can exceed \$30,000. Plus, we'll break down costs and provide tips for finding the right installer if your current one doesn't install batteries. While CNET notes that solar batteries can range from \$12,000 to \$22,000, with smaller batteries (8 kWh or less) potentially under \$10,000 before installation, it's common to see costs between \$1,000 to \$2,000. While a hybrid inverter adder increases the initial cost compared to a standard string inverter, it saves you from needing to purchase a separate battery inverter later. Brand and warranty: Systems from top-tier brands like Tesla, Enphase, and FranklinWH often cost more but come with robust performance guarantees.

How much does it cost to add a battery and an inverter



Retrofit batteries: How to add storage to your solar panel system

It's relatively easy to add a battery to your existing solar panel system, but the level of ease depends on the type of solar inverter you have. If your inverter isn't compatible with a battery, ...

Retrofit batteries: How to add storage to your solar ...

It's relatively easy to add a battery to your existing solar panel ...



How Much Does a Solar System with Batteries Cost: A ...

Discover the costs associated with installing a solar system with battery storage in our comprehensive article. Learn about total investments ranging from \$24,000 to \$53,000, and explore ...

How Much Does It Cost to Add a Battery to My Solar System?

Labor rates and the time required for installation can vary widely, with professional costs ranging from \$1,000 to as much as \$8,000 depending on the project's complexity and local wage rates.




How Much Does a Solar Battery Cost? (2025-2026 Guide)

As of early 2025, the average cost to install a home solar battery in the U.S. ranges between \$9,000 and \$18,000 before incentives. After applying the 30% federal tax credit, most ...

Battery and Inverter Adders: The True Cost of Going Solar

Unlock the true cost of solar by understanding battery and inverter adders. This article demystifies how these crucial components impact your total solar


12.8V6Ah

Nominal voltage (V):12.8
 Nominal capacity (Ah):6
 Rated energy (WH):76.8
 Maximum charging voltage (V):14.6
 Maximum charging current (A):6
 Floating charge voltage (V):13.6-13.8
 Maximum continuous discharge current (A):10
 Maximum peak discharge current @10 seconds (A):20
 Maximum load power (W):100
 Discharge cut-off voltage (V):10.8
 Charging temperature (°C):0-+50
 Discharge temperature (°C):-20-+60
 Working humidity: <95% R.H (non condensing)
 Number of cycles (25 °C, 0.5c, 100%doD): >2000
 Cell combination mode: 32700-4s1p
 Terminal specification: T2 (6.3mm)
 Protection grade: IP65
 Overall dimension (mm):50*70*107mm
 Reference weight (kg):0.7
 Certification: un38.3/msds

Home Battery Installation & Costs: What to Expect in 2025

While CNET notes that solar batteries can range from \$12,000 to \$22,000, with smaller batteries (8 kWh or less)

potentially under \$10,000 before installation, it's common to see costs ...



How Much Does a Solar Inverter Cost? (2026)

The average cost to install solar panels is \$10,600 to \$26,500 total (after tax credits), including the inverter. A solar battery storage system costs \$5,600 to \$11,200 installed (after tax ...



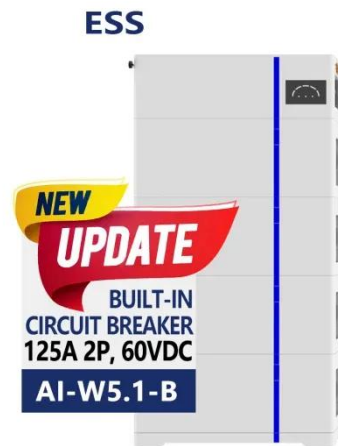
Solar Battery Cost: Is It Worth It? (2026) , ConsumerAffairs®

This guide breaks down solar battery costs in plain language. You'll learn what drives the price and whether a battery makes sense for your home.

How much does it cost to buy a solar panel plus battery plus inverter

Battery costs can add another \$1,500 to \$10,000, influenced by capacity and

technology. 3. Inverter costs may vary between \$1,000 and \$3,000. 4. Moreover, installation charges and local ...



How Much Do Solar Batteries Cost? (2026 Guide)

Solar batteries cost an average of \$10,000-\$19,000 in addition to installation costs. You may need multiple batteries to power your whole house with solar batteries. Solar batteries can help ...

Contact Us

For catalog requests, pricing, or partnerships, please visit:
<https://59empagm.pl>

