

Inverter 12v24v module



Inverter 12v24v module

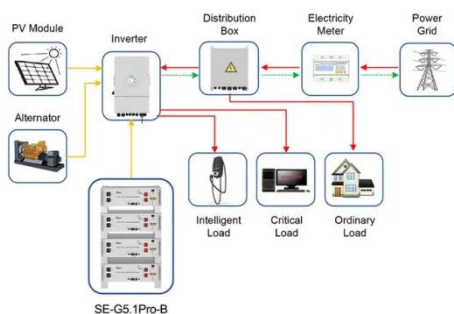
Amazon : 24 Volt To 12 Volt Inverter



DC 24V to 12V 10A Step Down Converter, 120W 10A Power Buck Voltage Regulator Reducer, Compact Transformer Module for Car, Truck, RV Electronics - 24V to 12V 10A Converter

12V/24V Battery Inverters for Off-Grid Power Systems

Designed to convert 12V or 24V DC battery power into stable 110V/120V AC, these inverters can safely run sensitive electronics like refrigerators, air conditioners, and power tools.



Application scenarios of energy storage battery products

10 Best 24 volt inverters

1000W Pure Sine Wave Inverter (2000W Peak), 12V/24V Auto-Detect, 50Hz/60Hz Switchable, LCD Display, Type-C Fast Charging, Silent Design, Overload & Overheat Protection for ...

12V vs 24V Inverter: What's

The Difference & Which is Better

This article will explore the pros and cons of 12 voltage inverters vs 24 voltage inverters, considering factors such as energy loss, battery requirements, and suitability for different applications like solar ...



Lithium battery parameters

Product capacity: 100Ah

Product size: 135*197*35mm

Product weight: 1.82kg 197mm / 7.7in

Product voltage: 3.2V

internal resistance: within 0.5



12V Power Inverters , DC to AC Inverters for RV & Car

Convert 12V DC battery power to standard 120V AC household electricity with our premium power inverters. Ideal for RVs, boats, trucks, emergency backup, and off-grid solar systems.

Power Inverters 24 Volt

KFFKFF Inverter Charger with Pure Sine Wave, 4000 Watt, Converts DC 24V to AC 120V, Comes with LCD Display and Remote Control, Ideal for Off-Grid Solar, RV, Boat, and Home Use



Pure Sine Wave Inverter (12v/24v/48v) , inverter

The high-efficiency 12V/24V/48V pure sine wave power inverter converts the DC power stored in the battery to a



standard household AC power source, providing you with quiet AC power anytime, ...

12VDC to 24VAC inverter, 120W

The EY150-DA24-M is an inverter that converts a DC voltage from 12V to 24V AC alternating voltage. The inverter can continuously supply a power of 120W, and a peak power of 150W. This way you

...



inv-12dc-24vac , PowerStream



Inexpensive DC/AC power inverter light weight and small size will boost 12vdc to 24vac. Makes 24 VAC equipment usable in 12 VDC installations. DC to AC inverter can work with solar or battery back-up ...

Contact Us

For catalog requests, pricing, or partnerships, please visit:
<https://59empagm.pl>

