

Inverter connected to energy storage battery



Inverter connected to energy storage battery

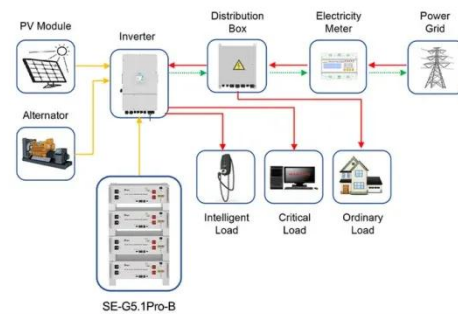


Best Solar Inverters With Battery Storage for Reliable Off-Grid Power

Below is a comparison table summarizing the featured products, followed by detailed reviews to help you choose the best solar inverter with battery storage for your energy needs. Check ...

Best Solar Inverters For Battery Storage [Updated: February 2026]

Hybrid inverters integrate both solar inverter and battery management systems into a single unit. They allow for simultaneous operation of solar energy generation and battery storage ...



Application scenarios of energy storage battery products



Understanding Hybrid Inverters with Lithium Batteries

A hybrid inverter combines the functionalities of a solar inverter and a battery inverter. It converts direct current (DC) from solar panels into alternating current (AC) for home use while also ...

Inverters and Battery Storage: Everything You Need to Know

For setups involving inverter and battery storage, battery-based inverters are ideal. They can convert AC to DC and vice versa, allowing them to charge batteries from an AC source and also convert DC from ...



IP65/IP55 OUTDOOR CABINET

ALUMINUM

OUTDOOR ENERGY STORAGE CABINET

OUTDOOR MODULE CABINET

Energy Storage Inverters: How They Work

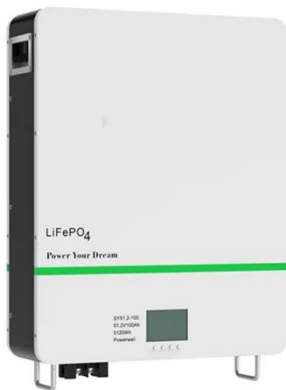
Battery-based inverters utilize battery storage to manage and convert energy, optimizing efficiency and ensuring reliable power supply in various sectors, including data centers and ...

Battery and Inverter Sizing Guide 2025: How to Match Solar Storage

Learn how to size and pair a battery with your solar inverter in 2025. Discover key ratios, examples, and Growatt solutions for optimal solar + storage system design.



How Inverters Work with



Batteries: A Beginner's Complete Guide to

Understanding how inverters work with batteries is vital for anyone interested in renewable energy systems or backup power solutions. With this foundational knowledge, you can explore the ...

Battery Inverters: The Bridge Between Energy Conversion and Storage

Battery inverters, as key devices in modern energy systems, play an important role in converting direct current (DC) to alternating current (AC). Battery inverters play an irreplaceable role ...



A PV and Battery Energy Storage Based-Hybrid Inverter

...

The system integrates a photovoltaic (PV) module with Maximum Power Point Tracking (MPPT), a single-phase grid inverter, and a battery energy storage system (BESS), all using wide band gap ...

The Perfect Match: A Guide to

Pairing Energy Storage Batteries with

At the heart of any such system lie two critical components: the battery bank and the inverter. Choosing high-quality parts is essential, but their compatibility is what truly unlocks peak ...



Contact Us

For catalog requests, pricing, or partnerships, please visit:
<https://59empagm.pl>

