

Junan Energy Photovoltaic Panel



Junan Energy Photovoltaic Panel



Juna Solar Photovoltaic Plant , ACCIONA , Business as unusual

With approximately 750,000 modules, the solar plant will generate around 800 GWh of clean energy annually, enough to power 840,000 households, while avoiding 724,000 tonnes of CO2 emissions ...

605-630W JINKO Mono-facial N-type Solar Panels

Home / Wind-solar Hybrid System /
605-630W JINKO Mono-facial N-type
Solar Panels

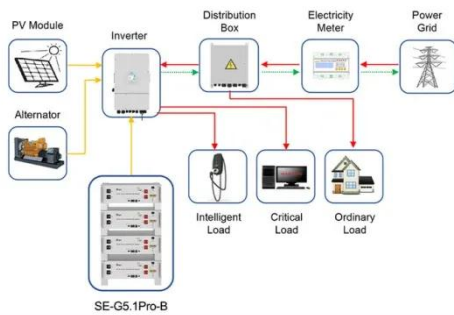
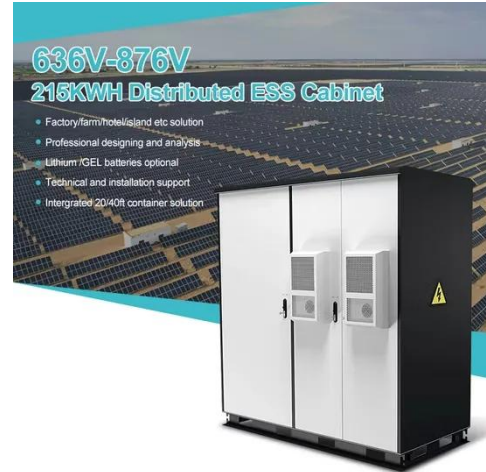


Power Generation Side

The JUNAN Zinc-Bromine Flow Battery System enhances renewable energy utilization, stability, and the economic efficiency in various types of new energy power plants.

Residential Use

Stable power output to reduce voltage fluctuations and improve power quality. Integrate with self-generation systems like solar panels to maximize energy utilization. If you have any needs or ...



Application scenarios of energy storage battery products

JJN 100 Watt Solar Panels, 10BB Monocrystalline 12V 100W Solar Panel

[Easy Installation and Versatile Use] JJN 100 Watt Solar Panel features pre-drilled mounting holes, which enable straightforward installation and transport, suitable for a range of ...

ACCIONA Energía commissions its largest project in India

Consisting of more than 750,000 photovoltaic modules, Juna is ACCIONA Energía's largest project in the country. It will produce 800GWh of green electricity per year, enough to supply ...



JUNAN Energy

Using an aqueous electrolyte for intrinsic safety, it features a modular design for easy and convenient installation, making

it ideal for home energy storage and emergency power supply.



Contact Us

For catalog requests, pricing, or partnerships, please visit:
<https://59empagm.pl>

