

KeNeng Energy Storage Battery System



Overview

Nairobi, Tuesday, J: The Kenya Electricity Generating Company PLC (KenGen), has commissioned a new Battery Energy Storage System (BESS) to supply uninterrupted renewable power to its modular data center, marking a new frontier in Kenya's long-term green energy. Nairobi, Tuesday, J: The Kenya Electricity Generating Company PLC (KenGen), has commissioned a new Battery Energy Storage System (BESS) to supply uninterrupted renewable power to its modular data center, marking a new frontier in Kenya's long-term green energy. The Kenya Electricity Generating Company PLC (KenGen) has unveiled its first-ever Battery Energy Storage System (BESS) to power its modular data centre in Nairobi. Peter Njenga (c), KenGen's Managing Director and CEO, during the official commissioning of the Battery Energy Storage System (BESS) in Nairobi. The newly. How about Jiangxi Keneng Energy Storage Battery: 1. Its contribution to grid stability has gained significant attention, 4. This new system provides uninterrupted renewable energy to KenGen's modular data center and is part of the. Kenya Electricity Generating Company (KenGen), the country's leading power producer, has announced the commissioning of a 1.

KeNeng Energy Storage Battery System



KenGen Unveils New Battery Energy Storage System for Sustainable ...

At its core a Battery Energy Storage System (BESS) is a large-scale rechargeable battery that stores energy generated from renewable sources like solar or wind power.

Meetings in Microsoft Teams

Learn the different ways you can connect to a meeting remotely in Microsoft Teams. When a Teams meeting is held in a channel, it is open to anyone.



Join a meeting in Microsoft Teams

Learn how to join a Microsoft Teams meeting by link, calendar, channel, chat, or by calling in.



Microsoft Teams

Oops, unknown error!



Join a Microsoft Teams Meeting by ID , Microsoft Teams

Learn how to join a Microsoft Teams meeting quickly and easily with just a meeting ID. Once you're in, explore Teams features to make your meeting successful.

Download Teams Desktop and Mobile Apps , Microsoft Teams

Download Microsoft Teams for desktop and mobile to stay connected on Windows, Mac, iOS, and Android. Enhance collaboration with the Microsoft Teams app.



A review on battery energy storage systems

This work offers an in-depth exploration of Battery Energy Storage Systems (BESS) in the context of hybrid

installations for both residential and non-residential end-user sectors, significant in ...



KenGen Commissions New Battery Energy Storage System in Nairobi

KenGen has commissioned its first Battery Energy Storage System (BESS) in Nairobi to power its modular data center, ensuring uninterrupted renewable energy supply.



KenGen Unveils its First Battery Storage System to Power Data Center

As Kenya accelerates its adoption of clean technologies, KenGen's investment in battery storage positions the state utility at the forefront of Africa's energy transition, merging legacy ...

Microsoft Teams Meetings Quick Start Guide

Microsoft Teams Meetings make it possible to stay connected and collaborative before, during, and after meetings, no matter where you're working from. Here are 10 tips to make meetings more productive ...



KenGen Powers Up Data Center With Its First Battery Energy Storage ...

The Kenya Electricity Generating Company PLC (KenGen) has made a bold leap into the future of clean energy by commissioning its first Battery Energy Storage System (BESS), a move ...

KenGen Powers Data Centre With New Standard Grid Battery

The Kenya Electricity Generating Company PLC (KenGen) has unveiled its first-ever Battery Energy Storage System (BESS) to power its modular data centre in Nairobi.

 **TAX FREE**    

ENERGY STORAGE SYSTEM

Product Model
HJ-ESS-215A(100KW/215KWh)
HJ-ESS-115A(50KW 115KWh)

Dimensions
1600*1280*2200mm
1600*1200*2000mm

Rated Battery Capacity
215KWH/115KWH

Battery Cooling Method
Air Cooled/Liquid Cooled



Microsoft Teams

Microsoft Teams allows users to

Sample Order
UL/KC/CB/UN38.3/UL



organize, join, and manage online meetings seamlessly with various collaboration tools.

Free Online Meetings & Video Calls , Microsoft Teams

Start free Teams video calls instantly! Connect, collaborate, and communicate effortlessly. Enjoy features like video calls, chat, file sharing, and more. Perfect for personal use, freelancers, ...



- 100KWH/215KWH
- LIQUID/AIR COOLING
- IP54/IP55
- BATTERY 6000 CYCLES

Sign In , Microsoft Teams

How do I create a Teams meeting? Create an instant meeting from a Teams chat or schedule a meeting with your Teams calendar. See step-by-step instructions

KENENG LITHIUM BATTERY ENERGY STORAGE

Company Introduction: Shenzhen Bicodi New Energy Co., Ltd., which was established in 2009, is a national high-

tech enterprise focusing on the research and development, production, sales and

...

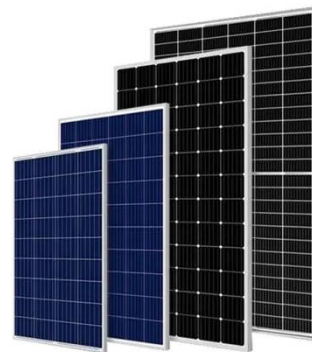


Keneng energy storage investment project planning

Akaysha Energy, rapidly becoming one of the country's best-known and most prolific new developers, has received planning approvals for two of its pipeline of around 10 projects in development: ...

Sign in to your account

Sign in to your Microsoft Teams account to join and manage online meetings, collaborate with teams, and access various features.



KenGen implements battery energy storage system to enhance data ...

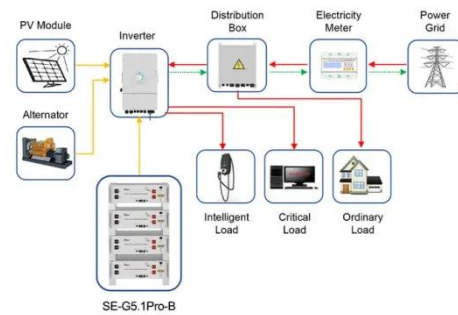
Kenya Electricity Generating Company (KenGen), the country's leading power



producer, has announced the commissioning of a 1.16 MWh Battery Energy Storage System (BESS) at its headquarters in ...

How about Jiangxi Keneng Energy Storage Battery , NenPower

The Jiangxi Keneng Energy Storage Battery represents a significant leap forward in energy storage technology. By offering versatile applications across a myriad of sectors, this battery ...



Application scenarios of energy storage battery products

Contact Us

For catalog requests, pricing, or partnerships, please visit:
<https://59empagm.pl>

