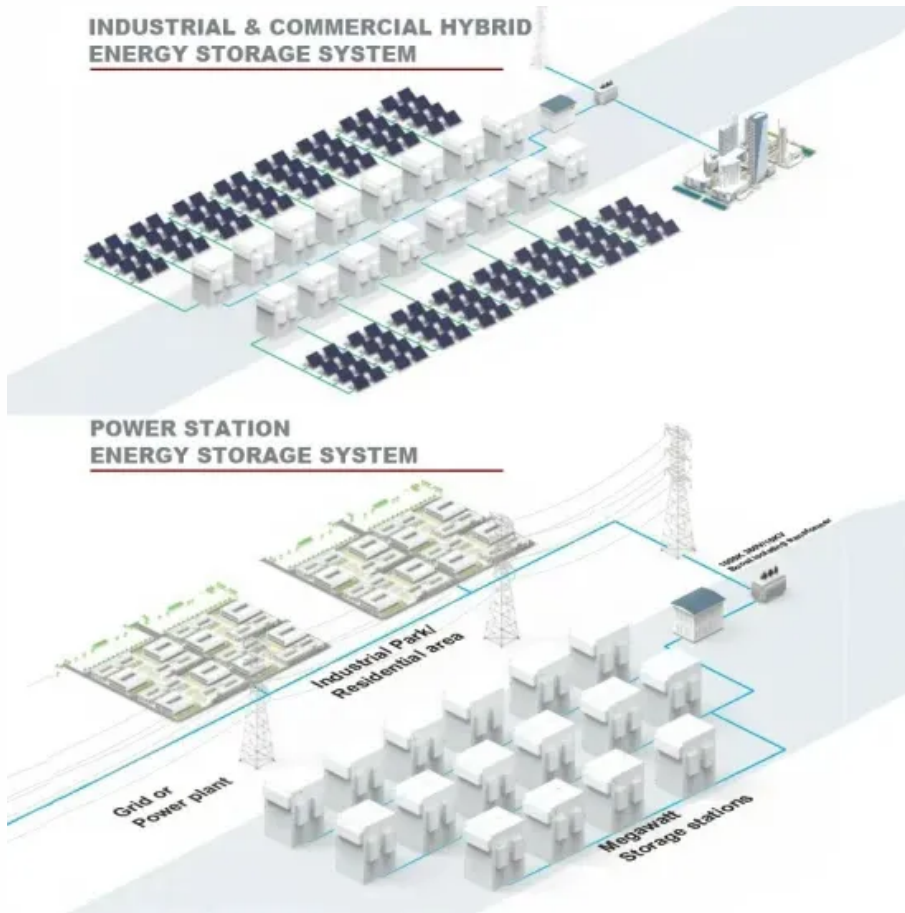


Majuro 1500vdc solar combiner box



Majuro 1500vdc solar combiner box

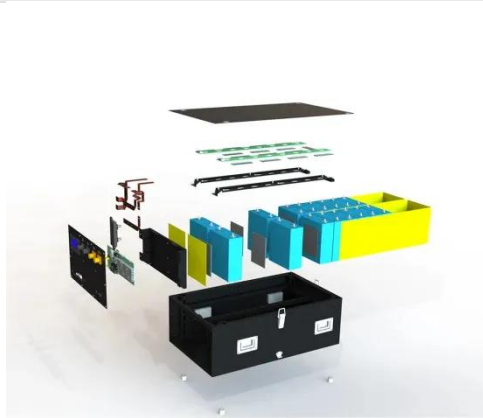
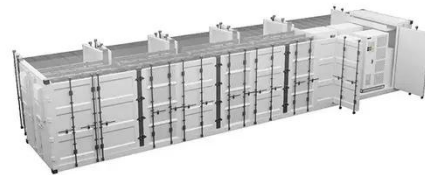


1500V DC Solar Combiner Box , OEM/ODM Manufacturer

LETOP provides scalable 1500V DC String Box for PV system, with 4-24 strings available. Equipped with high-quality electrical components that balance budget and performance requirements.

Combiner Boxes Component For 1500VDC Solar DCDB Panel

What is the role of a combiner box in a 1500VDC solar system? A combiner box consolidates multiple DC inputs (strings) into a single output, streamlining the system and improving efficiency.



600 VDC, 1000 VDC, 1,500 VDC Combiner Boxes

Positioned between the modules and inverters, these combiner boxes efficiently ...

SOLAR COMBINER BOX

The Power Assemblies' 1500VDC Solar Combiner Boxes are engineered to optimize grid-tied 1500V PV system applications by allowing you to increase the length of strings, reduce wiring complexity, ...



 **LFP 12V 200Ah**



Solar Combiners & Recombiners

Lab-proven under full load during static heating sequence test with fuses installed, the Shoals 1500V Dual-Fused Combiner series is designed for maximum durability [...] Collects and combines inputs ...

1500V DC Solar PV Combiner Box 12 In 1 Out 250A DC Isolator Switch for

1500Vdc Solar Disconnect Combiner Box. The most compact and cost-efficiency combiner for 1500V solar PV systems, thanks to the DC components including 2P fuse holders and UL98B, IEC60947 ...



1500V DC Combiner Box 12 In 1 Out BHS-12-1



1500V finger safe touch DC fuse holders for both positive and ...

1500V Solar Combiner Box

The 1500V solar combiner box helps combine the power from all the panels. These systems must work reliably for many years without needing to be serviced, so the box protects components from storms ...



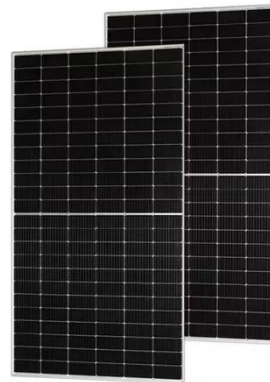
600 VDC, 1000 VDC, 1,500 VDC Combiner Boxes

Positioned between the modules and inverters, these combiner boxes efficiently manage source circuits to optimize system performance. Designed with both functionality and durability in mind, Flux's ...

Solar Combiner Boxes - RAND Manufacturing Group - Solar

Our combiner box has fused both the positive and negative incoming lines for

ultimate safety and protection. Our high-current ceramic fuse links and UL-approved holders provide a variety of ...



12.8V 100Ah

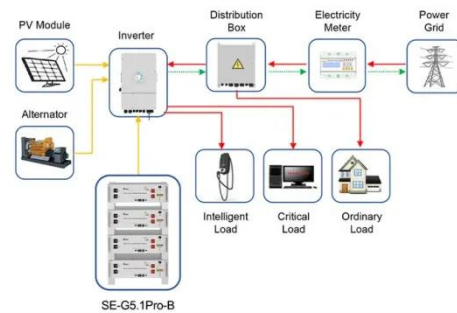


1500V DC Combiner Box 12 In 1 Out BHS-12-1

1500V finger safe touch DC fuse holders for both positive and negative poles for over-current protection. 1500V DC surge protection type 2 to for over-voltage protection. (Type 1+2 for option) Customized ...

SOLECTRIA XGI 1500 Combiners

The Attachable Combiner is designed to mate directly to the XGI 1500 inverter for use in distributed PV systems where the combiner and inverter are located together throughout the array field.



Application scenarios of energy storage battery products

Contact Us

For catalog requests, pricing, or partnerships, please visit:

<https://59empagm.pl>

