

# Microgrid Prospectus



## Overview

---

This report presents a comprehensive analysis of the microgrid market across the United States, examining how different regulatory frameworks either facilitate or hinder microgrid development, the incentive programs available to offset implementation costs, emerging commercial. This report presents a comprehensive analysis of the microgrid market across the United States, examining how different regulatory frameworks either facilitate or hinder microgrid development, the incentive programs available to offset implementation costs, emerging commercial. Authorized by Section 40101(d) of the Bipartisan Infrastructure Law (BIL), the Grid Resilience State and Tribal Formula Grants program is designed to strengthen and modernize America's power grid against wildfires, extreme weather, and other natural disasters that are exacerbated by the climate. Microgrid Knowledge is pleased to announce Microgrid 2023, May 16-17 in Anaheim, CA. Learn how our conference partners can gain access to over 700 attendees interested in microgrid. As we enter 2025, microgrids are driving the evolution of the New Energy Landscape, fueled by advancements in. Presentation was intended to build foundational understanding of energy resilience, reliability, and microgrids. Coalition stakeholders include the City of Oakridge, South Willamette Solutions, Lane County, Oakridge Westfir Area Chamber of Commerce, Good Company/Parametrix, Oakridge Trails. Microgrids, which are localized electrical grids that can disconnect from the traditional grid and operate autonomously using local energy sources, represent a critical defensive tool against widespread power disruptions, yet remain challenging to implement due to regulatory complexity, high. The global microgrid market, value at USD 40.06 Million in 2026 and reach USD 110. I need the full data tables, segment breakdown, and competitive landscape for detailed regional analysis and revenue estimates. 5 times, bringing total to 32,470 MW by 2030.

## Microgrid Prospectus

---



### Microgrid System Project Development Checklist

Discuss the team's objectives and motivations for developing a microgrid. Common objectives and motivations may include improving resilience for critical site loads, reducing utility costs and/or fuel ...

---

### Microgrid Market Size & Share, Growth Analysis 2035

The microgrid market was valued at USD 28.9 billion in 2025 and is expected to grow at a CAGR of 18.3% between 2026 and 2035, driven by the growing renewable integration.



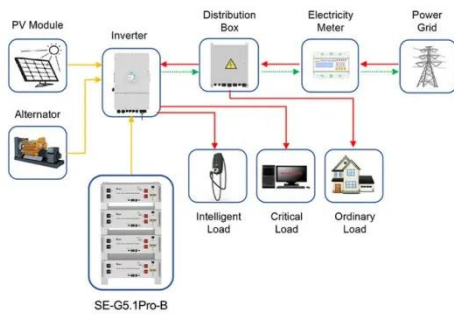
---

### Microgrid Market Size, Share & Forecast 2035

Microgrids are a growing market because of the increasing quest by industries, communities, and governments for reliable, sustainable, and decentralized energy solutions. A microgrid is an isolated energy ...

## Microgrid Market Report 2025-2035 , Trends, Forecasts & Players

The " Microgrid Market: Industry Trends and Global Forecasts, Till 2035 " report features an extensive study of the current market landscape, market size, and future opportunity within the microgrid ...



Application scenarios of energy storage battery products

## Microgrid Overview

After considering the resilience benefits and high-level cost considerations for a microgrid project, if a microgrid appears to be an effective and feasible resilience investment option, the next step is to craft a full conceptual ...

## Microgrid 2022 Prospectus

Microgrid 2022 offers you a once-a-year business opportunity to meet new customers, network with potential partners and learn the latest about this fast-growing global industry.



## US Microgrid Market Analysis

The research encompasses 21 states and territories, revealing significant variations in how jurisdictions approach



microgrid policy development and the resulting impact on deployment success rates. States can ...

---

## Microgrids 101

Presentation was intended to build foundational understanding of energy resilience, reliability, and microgrids.



---

## prospectus , Microgrid Knowledge

Microgrid 2019 will be held on May 14-16 in San Diego, California. Learn about the sponsorship and exhibit opportunities. Download the prospectus.

---

## SUMMARY OF MICROGRID ACTIVITIES IN THE USA

National renewable asset microgrid capacity is expected to grow 3.5 times, bringing total to 32,470 MW by 2030.

Microgrid assets are a powerful engine for change, not only for our environment and for ...



---

## Contact Us

---

For catalog requests, pricing, or partnerships, please visit:  
<https://59empagm.pl>

