

Oman Solar Energy Storage Container 1MW



Oman Solar Energy Storage Container 1MW



1MWh Energy Storage Container System

The system adopts lithium iron phosphate battery technology, with grid-connected energy storage converter, intelligent control through energy management system (EMS).

Oman's first RO115mn solar and battery storage project unveiled

Muscat - Nama Power and Water Procurement (PWP) signed an agreement on Monday with a consortium led by Masdar to develop Oman's first utility-scale solar and battery storage project ...



Oman Embraces Renewable Future with First Mega Solar Storage Plant

The new solar and battery storage plant is designed to be the largest of its kind in Oman. Unlike traditional power plants that rely on fossil fuels, this project will harness renewable solar ...

Oman Awards First Utility-Scale Solar and Battery ...

The scope of the project includes design, construction, ownership, financing, operation and maintenance of the plant and storage system.

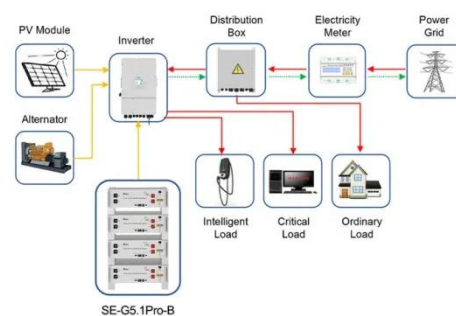


Oman Signs Landmark Agreement for First Utility-Scale Solar and ...

Muscat: Oman has signed a milestone agreement to develop its first large-scale solar power and battery storage facility, marking a decisive step in the Sultanate's renewable energy ...

Containerized Energy Storage Costs in Oman: 2024 Market Analysis

Summary: This article breaks down containerized energy storage costs in Oman's growing renewable energy market, exploring pricing factors, project examples, and government initiatives.



Application scenarios of energy storage battery products

CURRENT ENERGY STORAGE TECHNOLOGIES OMAN , EQACC

...



What is HJ mobile solar container?The HJ Mobile Solar Container comprises a wide range of portable containerized solar power systems with highly efficient folding solar modules, advanced lithium ...

MUSCAT 1MWH ENERGY STORAGE CONTAINER

Muscat: Oman has signed a milestone agreement to develop its first large-scale solar power and battery storage facility, marking a decisive step in the Sultanate's renewable energy transition and long-term ...



First large-scale energy storage project advances

It is set to be the first energy storage project of its kind in the Middle East based on CO₂ battery energy storage technology. A site has been identified for the establishment for this project."

Oman Secures Major Solar and Battery Storage Project -> Energy

Such announcements will confirm that this model of combining significant solar generation with substantial battery storage is becoming a standard for new renewable energy ...



Contact Us

For catalog requests, pricing, or partnerships, please visit:
<https://59empagm.pl>

