

Pet photovoltaic panel cost



Overview

The price of pet solar panels typically varies based on several factors, including location, size, and system complexity. Financing options such as loans or leases can mitigate upfront costs for. NLR analyzes the total costs associated with installing photovoltaic (PV) systems for residential rooftop, commercial rooftop, and utility-scale ground-mount systems. This work has grown to include cost models for solar-plus-storage systems. NLR's PV cost benchmarking work uses a bottom-up. Solar panels can lower your electricity bill by 75% or more, but the upfront investment is significant. Most homeowners spend between \$12,600 and \$33,376 to install a complete residential solar system in 2026, with the national average at \$19,873 before incentives. Data source: IRENA (2025); Nemet (2009); Farmer and Lafond (2016) - Learn more about this data Note: Costs are expressed in constant 2024 US\$ per watt. Stronger Box Package, sturdy and durable, good heat dissipation. 34"L x. Enter your address and the cost of your most recent electric bill Our estimator shows how many solar panels your home needs We generate an online cost and savings estimate You choose how many solar companies send you an exact price by email or text Click on your state for solar panels cost.

Pet photovoltaic panel cost



Solar photovoltaic panel prices

Solar photovoltaic module prices refer to the cost of the solar panel itself, and do not include installation or other system components. Prices are compiled from three sources: Nemet ...

How much does pet solar panel cost

Buyers must consider these aspects holistically to understand solar panel pricing. In summary, the process of determining the financial investment for pet solar panels necessitates ...



How Much Do Solar Panels Cost? (2026)

The average 6-kW residential solar panel installation is \$17,852 ...



See how much it will cost to

install solar panels for your home

Solar panel cost by state January, 2026
 Click on your state for solar panels cost localized to your city or use the solar calculator above to see the live prices from solar providers near you.

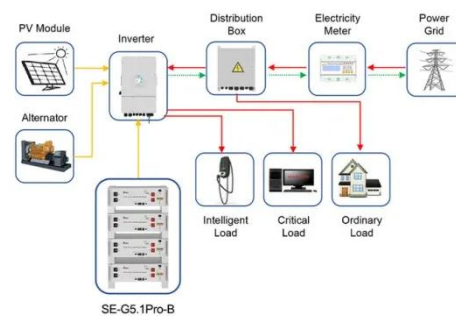


Solar Photovoltaic System Cost Benchmarks

All costs reported are represented two ways: Minimum Sustainable Price (MSP) and Modeled Market Price (MMP).

Solar Installed System Cost Analysis

NLR analyzes the total costs associated with installing photovoltaic (PV) systems for residential rooftop, commercial rooftop, and utility-scale ground-mount systems. This work has grown ...



Application scenarios of energy storage battery products

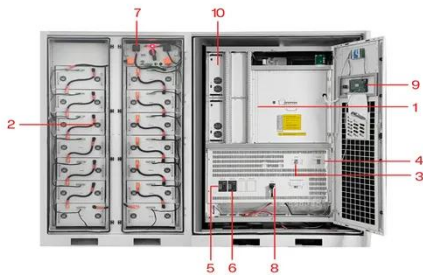
PET Solar Panel 100W 200W 300W 400W ETFE ...

It has a very high cost performance and is the best choice for home ...



How Much Do Solar Panels Cost? (2026)

Residential solar panel systems cost \$0.09 to \$0.11 per kilowatt-hour (kWh) installed on average, though prices vary greatly depending on the type of panels and how much daily sun they ...



- 1 PCS Module
- 2 Battery room
- 3 Grid side circuit breaker
- 4 Load side circuit breaker
- 5 OPV1 side circuit breaker
- 6 OPV2 side circuit breaker
- 7 High Volt Box
- 8 BAT side circuit breaker
- 9 LCD display screen
- 10 MPPT

How Much Do Solar Panels Cost?

For a full residential rooftop solar installation, total system costs per watt run approximately \$3.00 to \$4.50 when also including inverters, wiring, racking, permits, and professional ...

PET Solar Panel 100W 200W 300W 400W ETFE Flexible Solar Panels

It has a very high cost performance and

is the best choice for home energy investment Or Outdoor Usage. Product description: The surface is Plstic Cover Film Coating And Four EVA Layers, ...



How Much Do Solar Panels Cost? (2026) , ConsumerAffairs®

The average 6-kW residential solar panel installation is \$17,852 before incentives. Learn about cost factors, financing options, tax breaks and more.

Global PET film for PV Market Size, Share & Trends Analysis 2026-2032

DuPont's Tedlar-free backsheet solutions using PET layers now comprise nearly 25% of the global PV backsheet market, underscoring a cost and regulatory-driven transition. PET films cost 20-30% less ...



Contact Us

For catalog requests, pricing, or partnerships, please visit:
<https://59empagm.pl>

