

Photovoltaic light steel structure support manufacturer



IP65/IP55 OUTDOOR CABINET

IP54/55

OUTDOOR ENERGY STORAGE CABINET

OUTDOOR BATTERY CABINET



Overview

Our high-quality steel profiles provide excellent support for steel roof structures, creating a solid foundation for solar panel installation. Whether flat or sloping grounds our profiles for solar panels are engineered to ensure durability and stability even under. Product design is based on industry best practices, with a strong R&D component, seeking cost-optimized and efficient customized solutions. At Gonvarri Industries, we work to offer a comprehensive service and meet our customers' needs in the solar energy sector, such as solar trackers, fixed. Solar piles are engineered steel foundation elements that provide structural support for utility-scale solar panel installations. These deep foundation systems transfer loads from solar panel arrays through weak surface soils to stronger bearing strata below, ensuring long-term structural integrity. DAYLIFF solar structures are the ideal solution being strong and light weight as well as very affordable, easy to transport, long lasting and require minimal maintenance. All the profiles used in our solar panel structure systems are made of S350-GD. Parking garage, solar farm, ground mount, canopy, charging station, and more - we have the capability to design and fabricate elevated solar structures that meet your specific needs. We have a production capacity of roll forming the steel profiles of more than 30MW per week. NEW! We have launched our newest FlexRoof 3.

Photovoltaic light steel structure support manufacturer

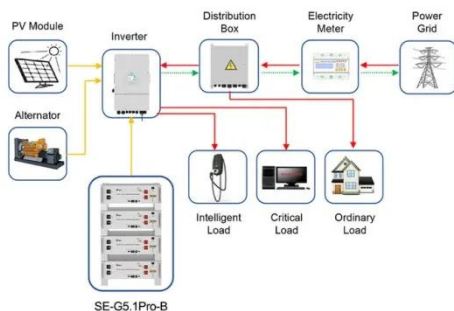


Elevated Solar Structures , Custom Designed , CBC Steel Buildings

As a custom manufacturer, CBC Steel Buildings is able to design and manufacture steel structural systems to support solar panel installation projects for a variety of applications - offering maximum ...

High-Quality Solar Panel Mounting Structures

At Xingya Steel, we specialize in manufacturing high-quality, corrosion-resistant solar mounting systems that meet international standards. Our expertise in steel fabrication, engineering precision, and cost ...



Application scenarios of energy storage battery products

NOKSEL , Steel Profiles for Solar Structures

Our high-quality steel profiles provide excellent support for steel roof structures, creating a solid foundation for solar panel installation. Whether flat or sloping grounds our profiles for solar panels are ...

Structural Steel Beams for Solar Foundations

We're proud to produce our structural steel beams for solar piles, guardrail posts, and more domestically at every stage. Our Made in the USA promise allows our customers to support domestic ...



Dayliff Solar Support Structures

The structures are modular in design using only two light gauge steel profiles and provide a very efficient support structure including the PV module support platform, legs and bracing all simply secured with ...

Solar Piles: Engineered Steel Foundation Solutions , Nucor

...

As a leading domestic manufacturer of H-piles and pipe piles, we provide the high-strength steel foundation elements essential for utility-scale solar installations.



SOLAR PANEL SUPPORT STRUCTURE SYSTEMS FOR

SOLAR PARKS



The metal structures offered by us are ideal for photovoltaic panels (solar panels), and because they are made of light steel profiles designed and manufactured with high precision, the assembly becomes ...

Contact Us

For catalog requests, pricing, or partnerships, please visit:
<https://59empagm.pl>

