

Saudi Arabia solar energy storage solar container lithium battery



Overview

Growing demand for distributed energy — In addition to large-scale projects, Saudi Arabia is encouraging rooftop solar and C&I solar battery storage systems under 20 MW, driving strong demand for mid-sized lithium-ion battery systems. Saudi Arabia Residential Solar Energy Storage Market Technology Landscape and Core Platforms The current technology landscape of the Saudi Arabia Residential Solar Energy Storage Market is characterized by a foundational deployment of lithium-ion battery systems, integrated with advanced energy. Saudi Electricity Company has secured two major battery energy storage projects in northern Saudi Arabia, signaling a significant shift in global energy storage economics, according to industry sources. The combined capacity of these projects is 4. Chinese battery manufacturer Cornex New Energy on February 3 entered into a strategic cooperation agreement to deliver 5.

Saudi Arabia solar energy storage solar container lithium battery



Saudi Arabia Emerges as a Leader in Grid-Scale Energy Storage

Saudi Arabia is rapidly becoming a key player in the global battery storage market, leveraging its oil wealth to invest heavily in large-scale energy storage solutions.

A Closer Look into the World's Largest BESS Project in Saudi Arabia

The implementation of the world's largest battery energy system (BESS) project progresses as Saudi Arabia begins qualification tenders. The Kingdom of Saudi Arabia is making significant strides through ...



Cornex secures 11.5 GWh of battery orders from Saudi Arabia, Egypt

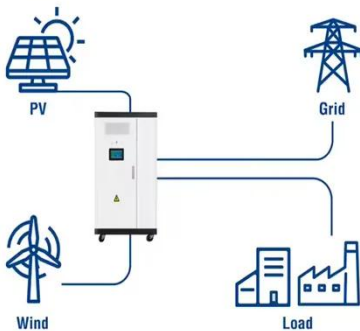
The Chinese manufacturer will supply 5.5 GWh of energy storage products to Saudi Arabia and another 6 GWh to Egypt, as it works to expand its global footprint.

Battery Energy Storage Breakthrough in Saudi Arabia

Saudi Electricity Company has secured two major battery energy storage projects in northern Saudi Arabia, signaling a significant shift in global energy storage economics, according to industry sources.



Utility-Scale ESS solutions



Saudi's 22 GWh Energy Storage Vision by 2026

Saudi Arabia is fast-tracking its battery storage expansion under the National Renewable Energy Program, aiming for 48 GWh of storage capacity by 2030. Already, 26 GWh worth of projects have been ...

Saudi Arabia Breaks Battery Storage Cost Barriers with \$73-75/kWh

Saudi Electricity Company (SEC) has secured two massive battery energy storage systems totaling 4.9 GWh at a cost of just USD 73-75 per kilowatt-hour (kWh) installed, marking a potential turning ...



SunRise Arabia 2026: How PV

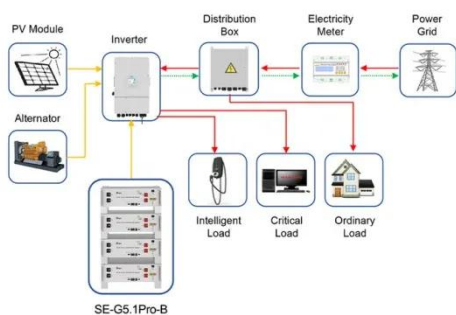
& Storage Will Power Saudi Arabia's Clean

SunRise Arabia 2026 signals a new clean energy frontier. The SunRise Arabia Clean Energy Conference 2026 is set for Apin Riyadh, bringing together policymakers, investors, technology ...



Saudi Arabia Residential Solar Energy Storage Market

The current technology landscape of the Saudi Arabia Residential Solar Energy Storage Market is characterized by a foundational deployment of lithium-ion battery systems, integrated with advanced



Application scenarios of energy storage battery products

Saudi Arabia emerges as a surprise leader in energy storage

Saudi Arabia has emerged as a surprise leader in the market for massive industrial batteries and is now one of the world's fastest deployers of grid-scale energy storage. A new report on the state of the ...

Saudi Arabia's demand for energy storage solutions is

growing rapidly

Growing demand for distributed energy
-- In addition to large-scale projects,
Saudi Arabia is encouraging rooftop solar
and C& I solar battery storage systems
under 20 MW, driving strong demand for

...



Contact Us

For catalog requests, pricing, or partnerships, please visit:
<https://59empagm.pl>

