

Solar Photovoltaic Power Generation Registration Template



Solar Photovoltaic Power Generation Registration Template



Event registration page template for solar power companies

Improve your online visibility and generate more leads with this easy-to-use event registration page template for solar power companies. Build your page online and publish it right away.

Presentation

EMC forwards Facility Registration Form for Intermittent Generation Facility (Solar PV) to PSO for approval EMC receives PSO's approval of Facility Registration Form for Intermittent ...

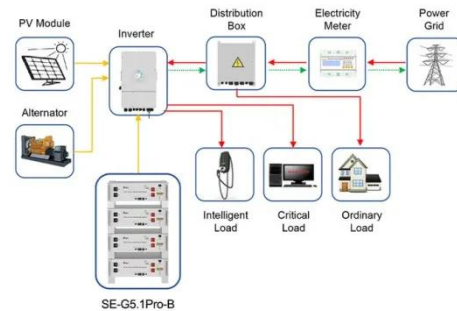


Free Solar Energy Templates, AI Solar Generator

Generate, Customize, and share editable AI-powered Solar Energy templates for docs, designs, whiteboards, charts, forms & more -- Prompt, Edit, Download.

Small Scale Embedded Generation (SSEG) Registration Process

For Eskom and Municipal Connected Customers This document outlines the registration process for Small-Scale Embedded Generation (SSEG) systems in South Africa for customers ...



Application scenarios of energy storage battery products



Solar Panels Templates PDF. download Fill and print for free.

Discover a comprehensive collection of solar panel documents including applications, registration forms, and resources for various solar panel programs and incentives across different locations. Simplify ...

Industrial and commercial photovoltaic power generation registration

Photovoltaic power generation tiles, also known as solar power generation tiles, absorb solar energy to store electricity, and finally use it on the roof. It is an upgraded version of solar panels ...



Free and customizable solar templates



Explore professionally designed solar templates you can customize and share easily from Canva.

Solar Photovoltaic Power Generation Registration Template

The Excel spreadsheet template is a valuable tool for assisting developers and investors of utility-scale solar parks in preparing to fundraise for their photovoltaic power generation projects



Power Generation (Solar Photovoltaic)

Detailed project overview including method of power generation, estimated generation capacity, proposed use of the power generated, method and point of connection to the national grid ...



Contact Us

For catalog requests, pricing, or partnerships, please visit:

<https://59empagm.pl>

