

# Solar inverter negative news



## Overview

---

energy officials are reportedly reassessing the security risks posed by Chinese-made components in renewable energy infrastructure after discovering hidden communication devices inside certain solar inverters. A reported backdoor in solar hardware has set off alarms from Washington to Brussels over foreign control of key energy infrastructure. Solar panels fields on the green hills stock photo. NEW You can now listen to Fox News articles! A former analyst with the National Security. New research released March 27 by Forescout Research-Vedere Labs found 46 new vulnerabilities across three of the world's 10 leading solar inverter vendors, flaws that could impact power grid stability, utility operations, and consumer data privacy. The researchers found that 80% of vulnerabilities. US experts warn 'rogue' devices found in Chinese solar power inverters could trigger widespread blackouts, report says — effectively a 'built-in way' to destroy the grid. The inverter market is experiencing “growing pains” as falling prices, shifting demand and technological product changes cause problems for the sector's major Western manufacturers. However, providing a definitive list is challenging as the effectiveness of a solar inverter often depends on specific individual needs, installation quality.

## Solar inverter negative news

---



### US uncovers hidden radios in Chinese solar inverters, ...

Experts uncover rogue devices in Chinese-made inverters and batteries, prompting U.S. and EU nations to review renewable tech security.

### China Can Cause Blackouts In US And Europe Through Solar Inverter

A cybersecurity firm last year revealed 46 separate vulnerabilities in solar inverters from top manufacturers that would allow them to remotely hijack, disable, or corrupt power systems at scale.

### ESS



### Chinese-made solar inverters could be weaponized against U.S., ...

Energy companies, cybersecurity experts and lawmakers warn that U.S. dependence on Chinese inverters that can be manipulated remotely is a growing security threat.

## Solar Power Inverters: Risks and Realities , Elektor ...

Researchers have uncovered major cybersecurity risks in residential solar power inverters, exposing vulnerabilities that could disrupt national grids.



## Worst Solar Inverters: A Comprehensive Guide to ...

Avoid hassle with our guide on the worst solar inverters. Learn about key models to avoid, ensuring optimal solar energy conversion.

## 46 new bugs in solar power inverters raise concerns over power grid

New research released March 27 by Forescout Research-Vedere Labs found 46 new vulnerabilities across three of the world's 10 leading solar inverter vendors, flaws that could impact power grid stability, utility operations, ...

### Lithium battery parameters

Product capacity: 100Ah

Product size: 135\*197\*35mm

Product weight: 1.82kg

Product voltage: 3.2V

internal resistance: within 0.5



## China hides hardware in solar tech that could disrupt U.S

Rogue communication devices that were

not in official product documents were found inside Chinese solar power inverters when they were examined by U.S. experts for possible security issues,



---

## Inverter manufacturers facing 'growing pains'

In recent weeks, three major western inverter manufacturers - SMA Solar, Enphase and SolarEdge - have reported challenging financial results and job cuts.



---

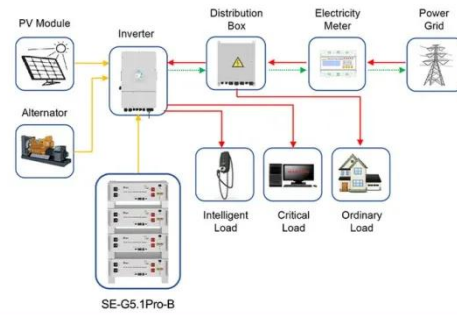
## US experts warn 'rogue' devices found in Chinese solar power inverters

U.S. security experts have reportedly uncovered undocumented communication devices inside Chinese-made solar power inverters -- hardware that's widely used to support renewable energy

---

## Rogue communication devices found in Chinese solar power inverters

LONDON, May 14 (Reuters) - U.S. energy officials are reassessing the risk posed by Chinese-made devices that play a critical role in renewable energy infrastructure after unexplained communication



Application scenarios of energy storage battery products

## Contact Us

For catalog requests, pricing, or partnerships, please visit:  
<https://59empagm.pl>

