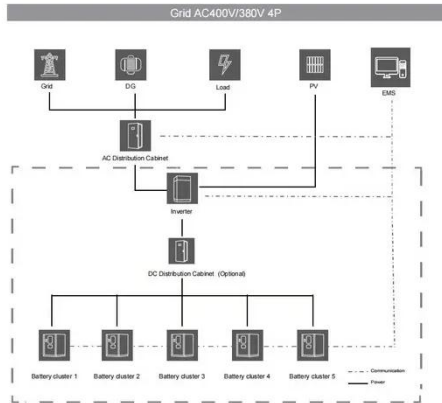


Solar system off-solar container grid inverter



Solar system off-solar container grid inverter



Best off-grid solar systems

Choosing an off-grid solar power system for your home is not easy, as off-grid systems are far more complicated than standard grid-connected solar systems. This article highlights the ...

Hybrid Microgrid Technology Platform , BoxPower

All energy systems are equipped with a solar array, batteries, inverters, and the option to add an integrated generator. The MiniBox microgrid solution can seamlessly switch between off-grid and grid ...

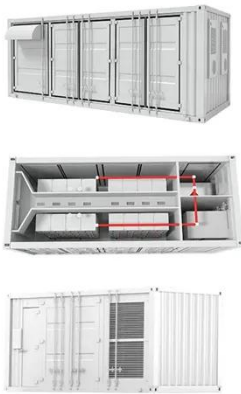


Shipping Container Solar Systems in Remote Locations: An Overview

Shipping container solar systems are transforming the way remote projects are powered. These innovative setups offer a sustainable, cost-effective solution for locations without access to ...

Off Grid Solar Inverters: Complete 2025 Buyer's Guide & Installation Tips

Complete guide to off-grid solar inverters. Compare top brands, sizing guides, installation tips, and expert recommendations for 2025. Get reliable off-grid power.



Instant Off-Grid(TM) Shipping Containers with Solar and Batteries and AC+

Our 20 and 40 foot shipping containers are outfitted with roof mounted solar power on the outside, and on the inside, a rugged inverter with power ready battery bank.

UNLOCKING OFF-GRID POWER: THE ULTIMATE GUIDE TO SOLAR ...

Among the innovative solutions paving the way forward, solar energy containers stand out as a beacon of off-grid power excellence. In this comprehensive guide, we delve into the ...



Off-Grid Solar Made SIMPLE:



Container Home Power System Install

If you're looking for the simplest and easiest way to build a reliable, high quality off-grid solar system that can power a container or tiny house, you've come to the right place.

Off-Grid Inverter Systems: Still Worth It in 2025?

This article provides an in-depth analysis of off-grid solar systems, with special focus on the role of off-grid inverters in delivering stable, usable AC power.



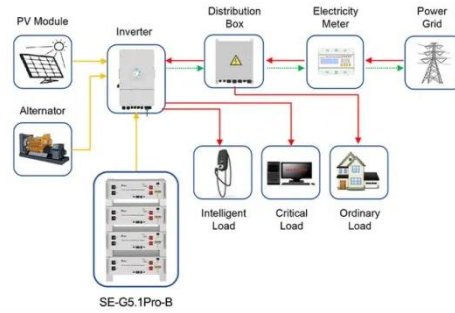
Can I run power to a shipping container? Off-Grid Solar Solutions for

In short, you can indeed run power to a container - either by extending a line from the grid or by turning the container itself into a mini power station using solar panels.

Off grid container power systems -- Off-Grid Installer

We are offering mini renewable power stations in a Off-Grid shipping Container

ready to be deployed worldwide. These include solar PV panels and mountings.



Application scenarios of energy storage battery products

Contact Us

For catalog requests, pricing, or partnerships, please visit:
<https://59empagm.pl>

