

The installation of photovoltaic panels mainly involves screwing



The installation of photovoltaic panels mainly involves screwing



Step-by-Step Guide to Residential Solar Panel Installation

Residential solar panel installation involves design, permits, roof inspection, mounting, wiring, and testing. Optional battery storage improves energy independence. DIY installation can reduce upfront costs but ...

The Ultimate Guide to Solar Panel Mounting Systems and Fasteners for a

Following best practices during the installation phase is essential to guarantee the safety, performance, and longevity of the solar energy system. The process begins long before the first screw is turned.



Mounting Solar Panels: A Complete Beginner's Guide to Installation

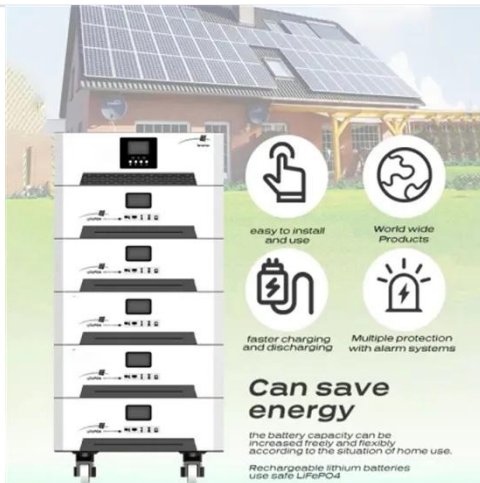
Mounting solar panels refers to the process of installing solar energy systems onto a structure such as a building or ground mount. The procedure usually involves securing the panels with

a racking ...



Advantages PV-insertion system: The better choice for PV-systems

Since the beginning of commercial photovoltaic installation, most rooftop PV systems have been installed with a conventional clamping system. This means that two aluminium clamps are screwed to the long or short ...

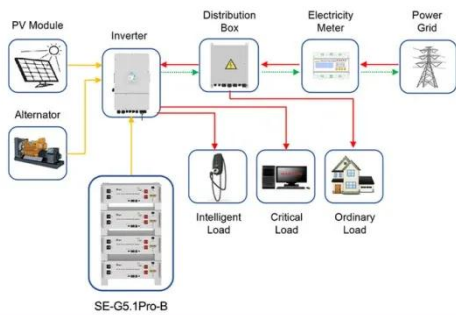


Solar Panel Installation Guide - Step by Step Process

Following are the steps involved in the installation process: The first step is to fix the mounts that will support the Solar Panels. It can be Roof-ground mounts or flush mounts depending on the requirement. ...

Roof Anchor System for Solar Panels

For PV modules, the racking and mounting system typically consists of the following: a two-railed track that is bolted into the rafters and onto which the panels are clamped, a flashing component for weatherproofing the ...



Application scenarios of energy storage battery products

A Guide to Photovoltaic Systems Installation: From Setup to ...

This article walks you through the basics of PV system installation, focusing on the practical steps from mounting modules to connecting the inverter to the electrical grid, and emphasizes the importance of ...

How Are Solar Panels Installed? The Process Explained In Detail

Installing solar panels involves more than simply mounting hardware, it involves integrating a complete solar energy system that harnesses renewable energy efficiently. Solar panel installation requires ...



✓ IP65/IP55 OUTDOOR CABINET

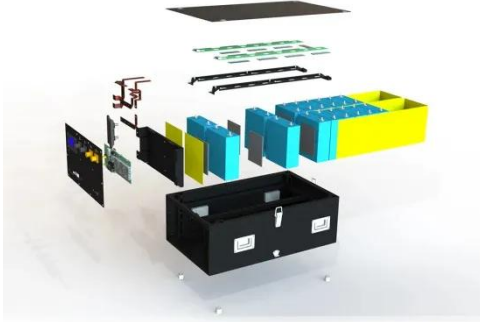
✓ OUTDOOR MODULE CABINET

✓ OUTDOOR 5G BASE STATION CABINET

✓ WATERPROOF

Solar Panel Mounting

Explained: Cost, Types & DIY Myths in 2025



Mounting solar panels on a roof isn't just about screwing them down and hoping for the best. It's a precise process designed for safety, durability, and maximum sunlight capture.

Contact Us

For catalog requests, pricing, or partnerships, please visit:
<https://59empagm.pl>

