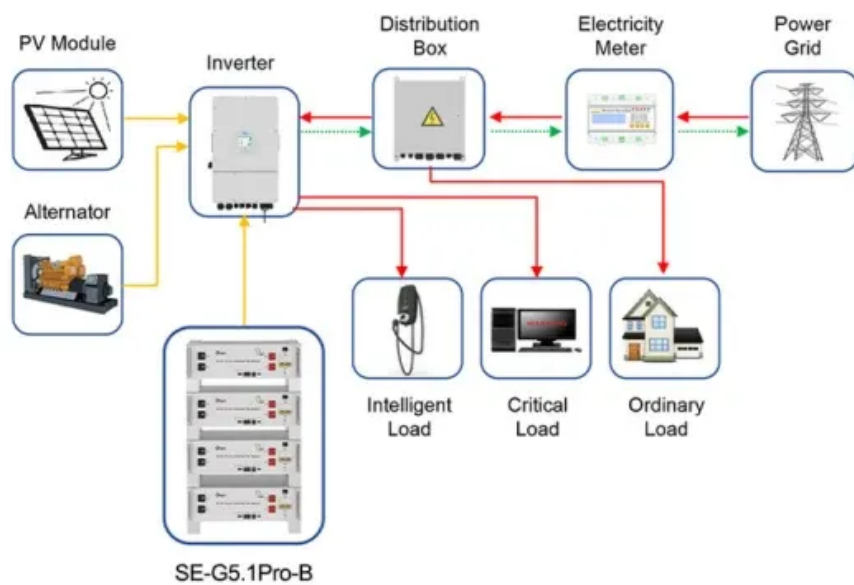


The largest solar battery cabinet company in costa rica is



Application scenarios of energy storage battery products



Overview

The companies Proquinal – a member of the Spradling Group – and Swissol, accompanied by government authorities, inaugurated the largest and most innovative project for the storage of alternative energy in Costa Rica, which will help reduce the pressure on public electricity. The companies Proquinal – a member of the Spradling Group – and Swissol, accompanied by government authorities, inaugurated the largest and most innovative project for the storage of alternative energy in Costa Rica, which will help reduce the pressure on public electricity. Who makes energy storage enclosures?

Machan offers comprehensive solutions for the manufacture of energy storage enclosures. We have extensive manufacturing experience covering services such as battery enclosures, grid energy storage systems, server cabinets and other sheet metal enclosure OEM. Iajuela, making efficient use of space. The energy that is c gy storage project opens in Costa Rica. Costa Rica Solar Solutions has completed many of the largest commercial solar systems in the. Discover how Costa Rica's innovative cabinet-style battery storage solutions are reshaping renewable energy integration while addressing grid stability challenges.

The largest solar battery cabinet company in costa rica is



Costa Rica most efficient battery storage

The companies Proquinal - a member of the Spradling Group - and Swissol, accompanied by government authorities, inaugurated the largest and most innovative project in storage of alternative ...

Energy storage battery container manufacturing in Costa Rica

December 2020: Rolls-Royce has provided the technology required for textile company Proquinal in Alajuela to successfully commission the largest integrated energy system in Costa Rica.



COSTA RICA TAKES A BOLD STEP IN RENEWABLE ENERGY

...

The global solar storage container market is experiencing explosive growth, with demand increasing by over 200% in the past two years. Pre-fabricated containerized solutions now account for

...

COSTA RICA BATTERY STORAGE APPLICATIONS

gy storage project opens in Costa Rica. The system uses solar panels to charge batteries during periods of lower energy cost and then, subsequently 4.3 MWh battery storage system (BESS). It is Costa ...



Top Costa Rica Outdoor Energy Storage Cabinet Brands: Sustainable

This guide explores leading brands tailored to tropical climates, renewable energy integration, and industrial applications. Discover how modern cabinets support solar/wind projects, telecom ...

Costa Rica Cabinet Energy Storage System Project: Powering ...

With over 98% of electricity generation from renewable sources, Costa Rica stands as a global leader in clean energy. However, the intermittent nature of solar and wind power creates unique challenges ...



COSTA RICA TAKES A BOLD STEP IN RENEWABLE ENERGY WITH LARGEST SOLAR



We have extensive manufacturing experience covering services such as battery enclosures, grid energy storage systems, server cabinets and other sheet metal enclosure OEM services..

Costa Rica solar battery manufacturers

Established:2001 Company profile:CSI is one of the largest solar power generation companies in the world and a leading vertically integrated provider of solar products, services and ...



ESS



Costa Rica s largest energy storage battery company

· The textile company Proquinal Costa Rica S.A. in Alajuela successfully commissioned the largest integrated energy system with battery storage and solar installations

Battery companies in Costa Rica

The companies Proquinal - a member of the Spradling Group - and Swissol, accompanied by government authorities,

inaugurated the largest and most innovative project in storage of alternative ...



Contact Us

For catalog requests, pricing, or partnerships, please visit:
<https://59empagm.pl>

