

Tonga energy storage



Tonga energy storage



What are the Tongan energy storage projects? , NenPower

The crux of Tonga's energy storage projects revolves around advanced battery technologies that enhance the stability and reliability of the power supply. There are several types of ...

Akuo commissions the South Pacific's largest storage project

Akuo, one of the largest producers of renewable energy in the Pacific region, announces the launch of its largest energy storage project in the region. A major technological advance for sustainable ...



Tonga energy storage power station project

NUKU"ALOFA, TONGA (14th November 2019) -- Tonga's second Large scaled Battery Energy Storage System (BESS) will be built at Matatooa after an agreement was signed today between Tonga Power ...

Another solar-plus-storage system in Tonga commissioned

A solar-plus-storage project combining 300kW of PV and a 2MWh battery energy storage system (BESS) has been installed in the Polynesian archipelago nation of Tonga. The project on the ...



Tonga new energy storage

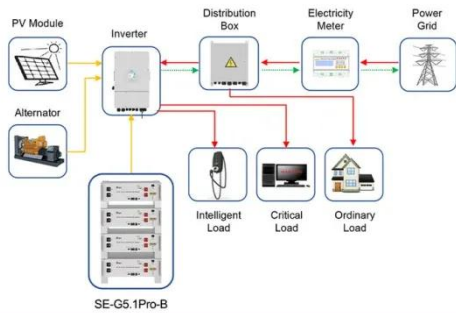
"Ohonua, "Eua Tonga (02nd March 2023)
-- Tonga Power Limited (TPL) has commissioned a new solar and battery energy storage system in Eua, Tonga, with the financial support of the

FP090: Tonga Renewable Energy Project under the Pacific Islands

The project will deliver utility-scale storage systems to provide base load response and grid stability, paving the way for more renewable energy integration in the main island, while green ...



Battery Energy Storage Systems , Tonga Power Limited



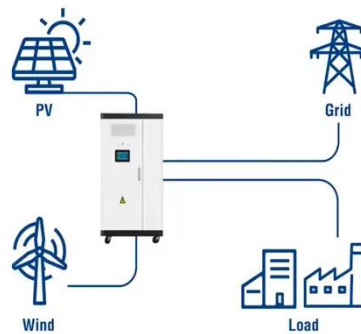
Application scenarios of energy storage battery products

Battery Energy storage systems will be able to store renewable energy generated from our existing solar and wind generation sites and distribute it to the people of Tonga when required.

Tonga's first BESS project inaugurated

Tonga's first utility-scale battery energy storage system (BESS) project was officially opened today at an event attended by the South Pacific Kingdom's prime minister.

Utility-Scale ESS solutions



Tonga Integrated Energy Storage Power Station: A Blueprint for

The Tonga Integrated Energy Storage Power Station demonstrates that energy independence isn't a distant dream--it's achievable today. By combining solar, wind, and smart storage, nations can build ...

Contact Us

For catalog requests, pricing, or partnerships, please visit:
<https://59empagm.pl>

